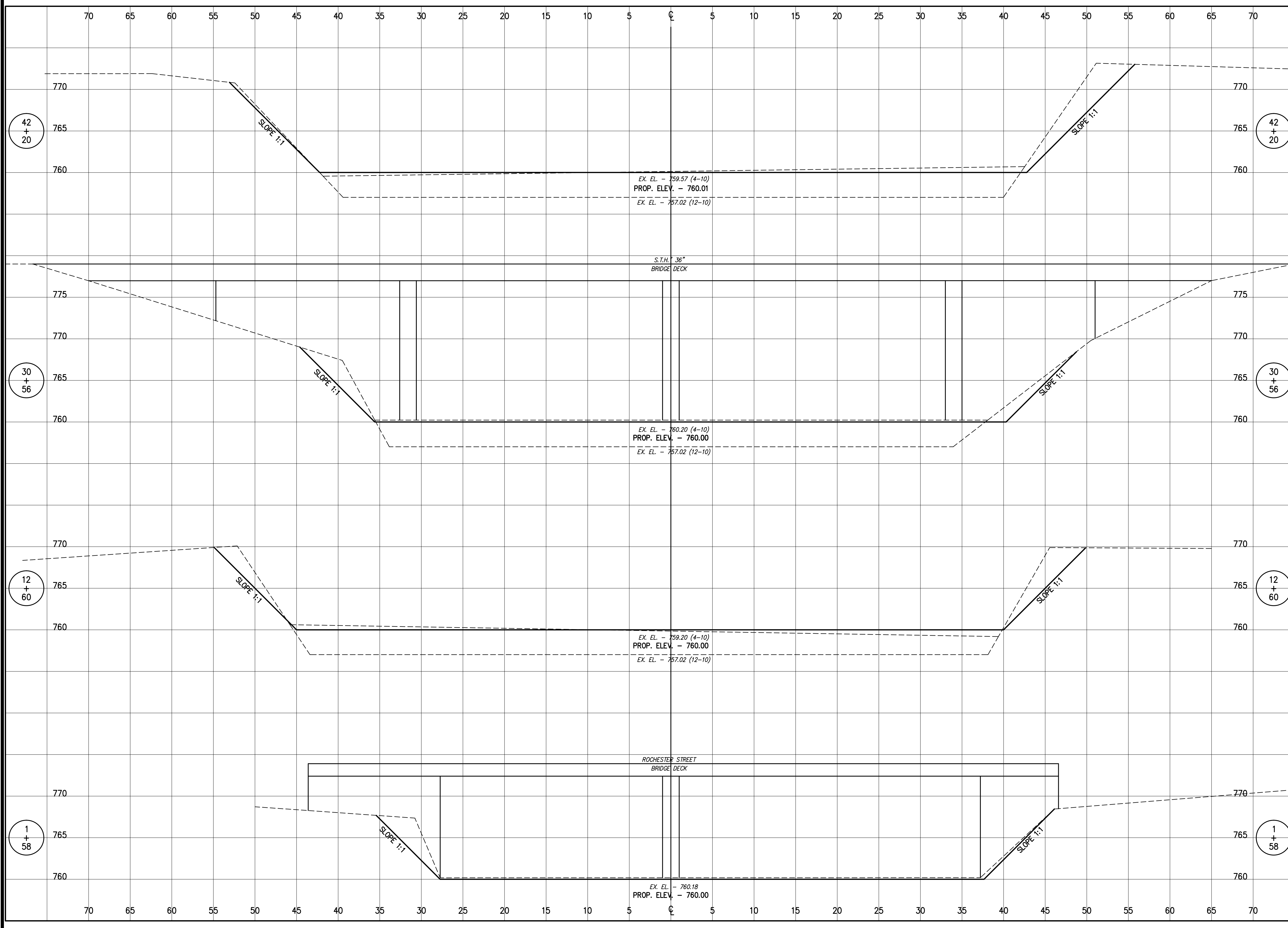




**Nielsen Madsen & Barber S.C.**  
 Civil Engineers and Land Surveyors  
 1339 Washington Ave. Racine, WI. 53403  
 Tele: (262)634-5588 Fax: (262)634-5024  
 Website: www.nmbssc.net

**NORWAY / DOVER DRAINAGE  
 DISTRICT MAPPING  
 WIND LAKE CANAL  
 CROSS SECTIONS  
 RACINE WISCONSIN**



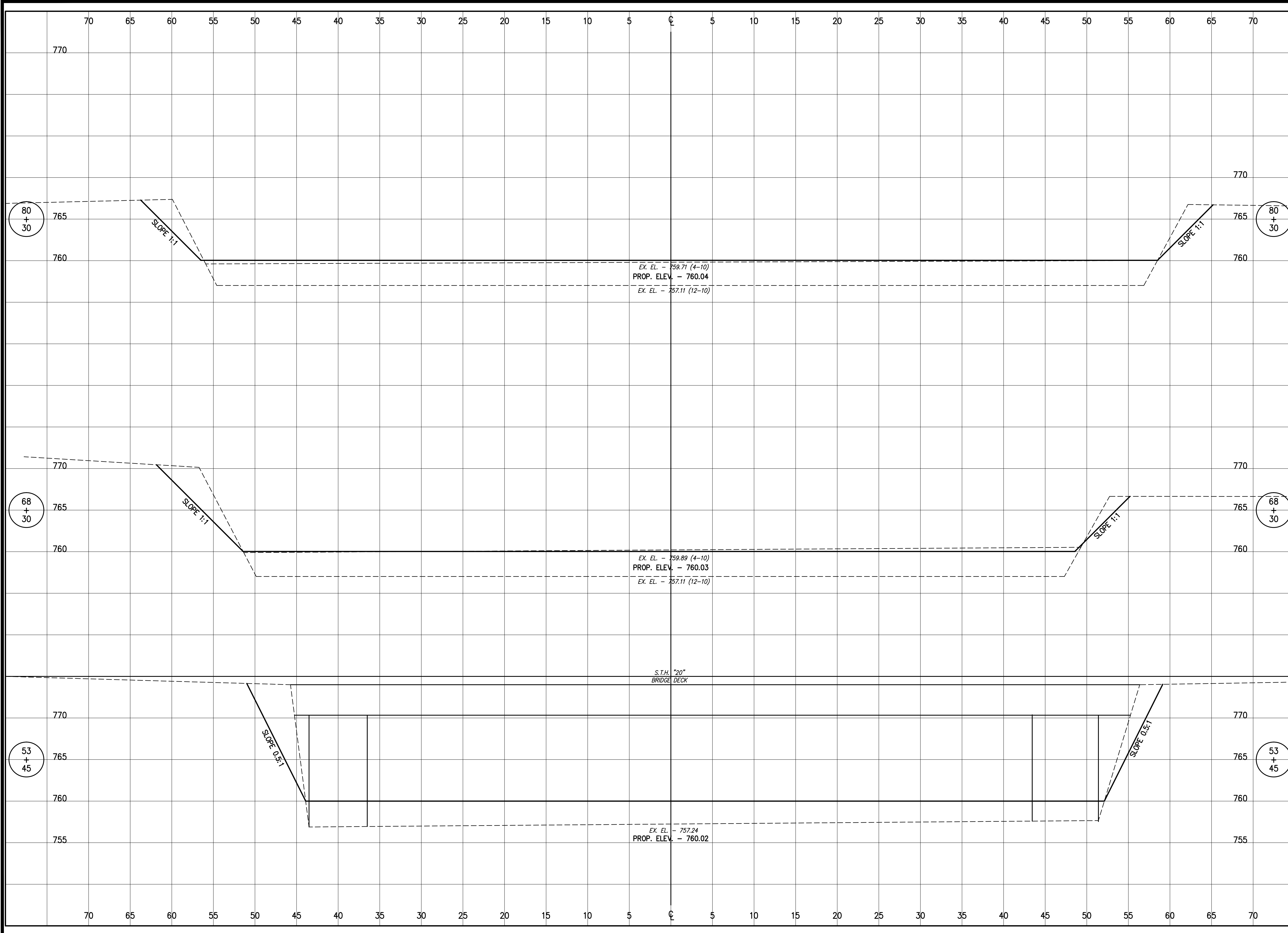
Monday, January 10, 2011 8:52:12 AM

NO.	REVISION	BY	DATE

PROJ. MGR: MRM  
 DRAFTED: SCB  
 DATE: 6-15-2010  
 CHECKED: ICB  
 DATE: 6-15-2010

2010.0022.01  
 SHEET  
**46 OF 83**

Monday, January 10, 2011 8:57:36 AM



**Nielsen Madsen & Barber S.C.**  
 Civil Engineers and Land Surveyors  
 1339 Washington Ave. Racine, WI. 53403  
 Tele: (262)634-5588 Fax: (262)634-5024  
 Website www.nmbssc.net

**NORWAY / DOVER DRAINAGE  
 DISTRICT MAPPING  
 WIND LAKE CANAL  
 CROSS SECTIONS  
 RACINE WISCONSIN**

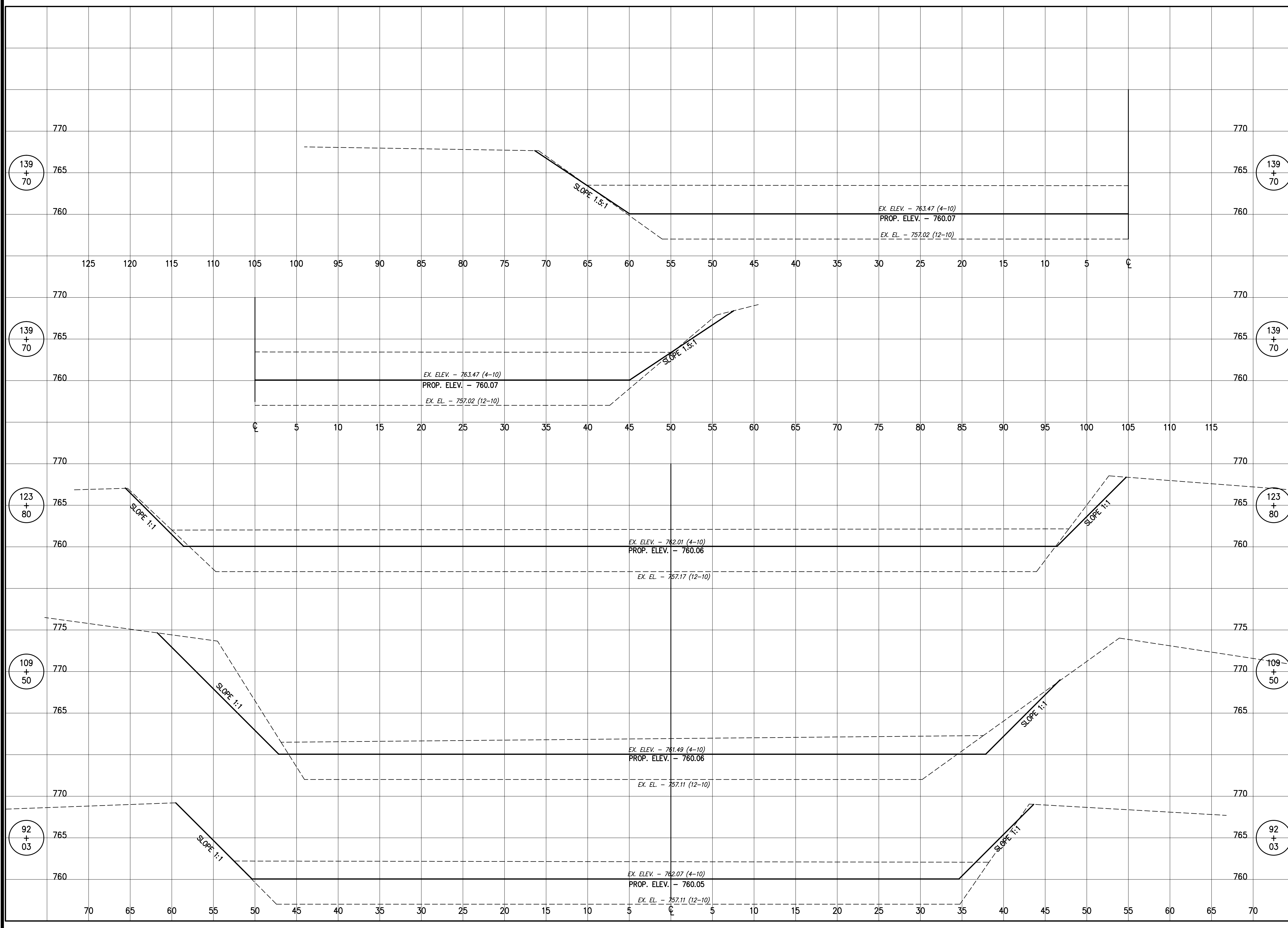
NO.	REVISION	BY	DATE
1	REVISED BOTTOM OF BANK	SCB	1-10-11

PROJ. MGR: MRM  
 DRAFTED: SCB  
 DATE: 6-15-2010  
 CHECKED: ICB  
 DATE: 6-15-2010



**Nielsen Madsen & Barber S.C.**  
 Civil Engineers and Land Surveyors  
 1339 Washington Ave. Racine, WI. 53403  
 Tele: (262)634-5588 Fax: (262)634-5024  
 Website www.nmbasc.net

**NORWAY / DOVER DRAINAGE  
 DISTRICT MAPPING  
 WIND LAKE CANAL  
 CROSS SECTIONS  
 RACINE WISCONSIN**



Monday, January 10, 2011 9:04:51 AM

NO.	REVISION	BY	DATE
1	REVISED BOTTOM OF BANK	SCB	1-10-11

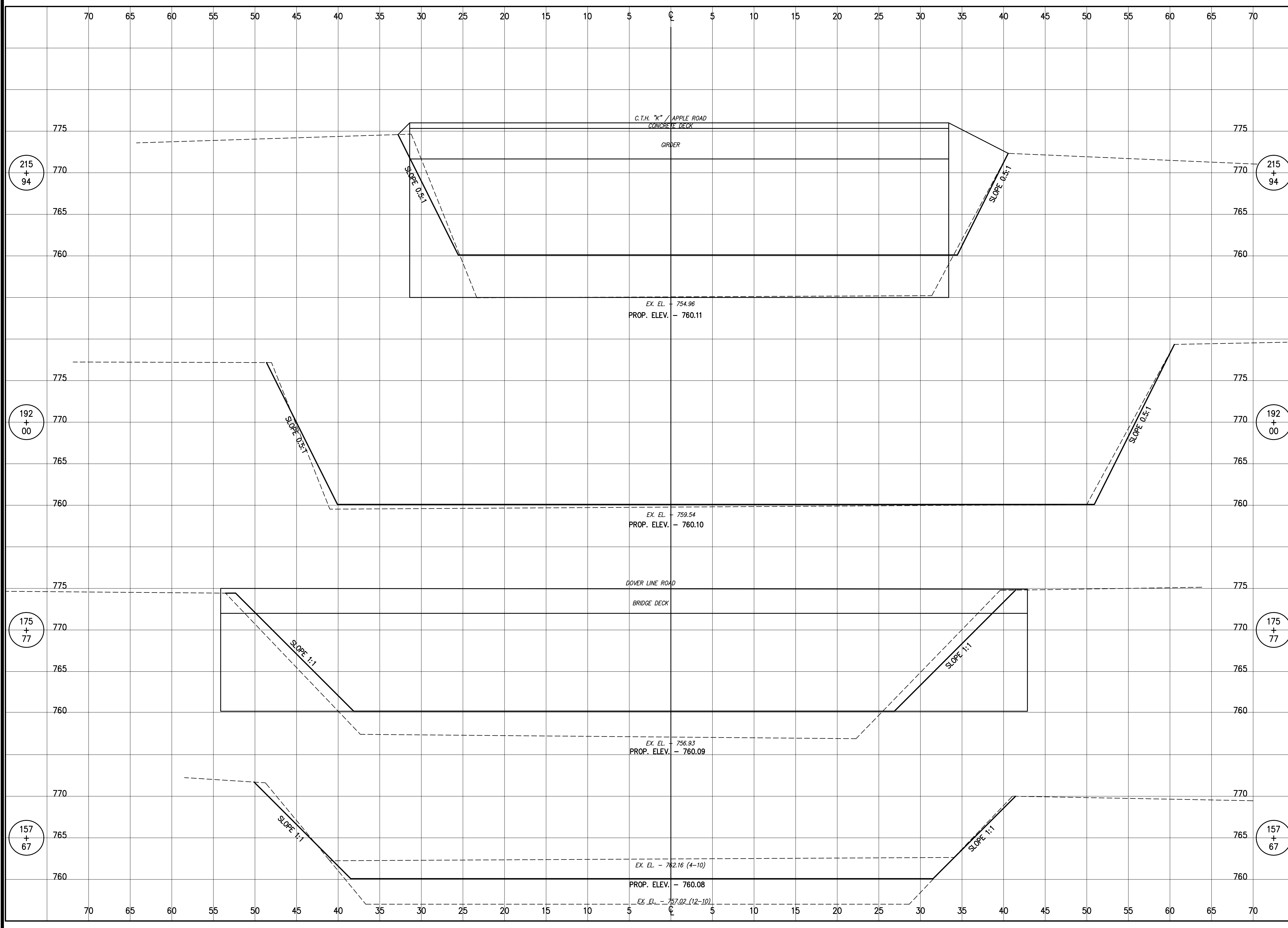
PROJ. MGR: MRM  
 DRAFTED: SCB  
 DATE: 6-15-2010  
 CHECKED: JCB  
 DATE: 6-15-2010

2010.0022.01  
 SHEET  
**48** OF **83**



**Nielsen Madsen & Barber S.C.**  
 Civil Engineers and Land Surveyors  
 1339 Washington Ave. Racine, WI. 53403  
 Tele: (262)634-5588 Fax: (262)634-5024  
 Website www.nmbssc.net

**NORWAY / DOVER DRAINAGE  
 DISTRICT MAPPING  
 WIND LAKE CANAL  
 CROSS SECTIONS  
 RACINE WISCONSIN**



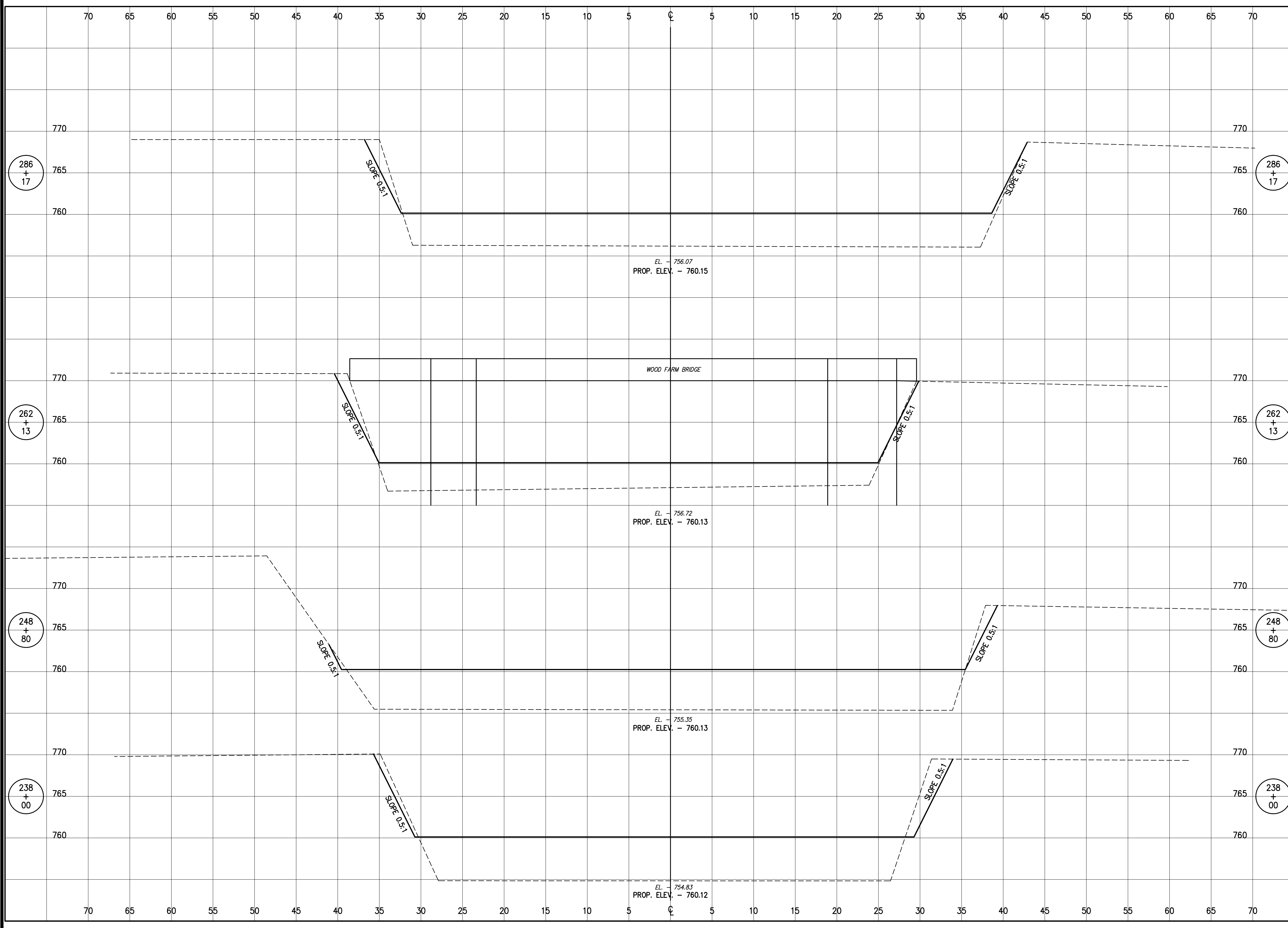
Monday, January 10, 2011 9:08:10 AM

NO.	REVISION	BY	DATE
1	REVISED BOTTOM OF BANK	SCB	1-10-11

PROJ. MGR: MRM  
 DRAFTED: SCB  
 DATE: 6-15-2010  
 CHECKED: JCB  
 DATE: 6-15-2010

2010.0022.01  
 SHEET  
**49** OF **83**

Tuesday, July 27, 2010 4:44:06 PM



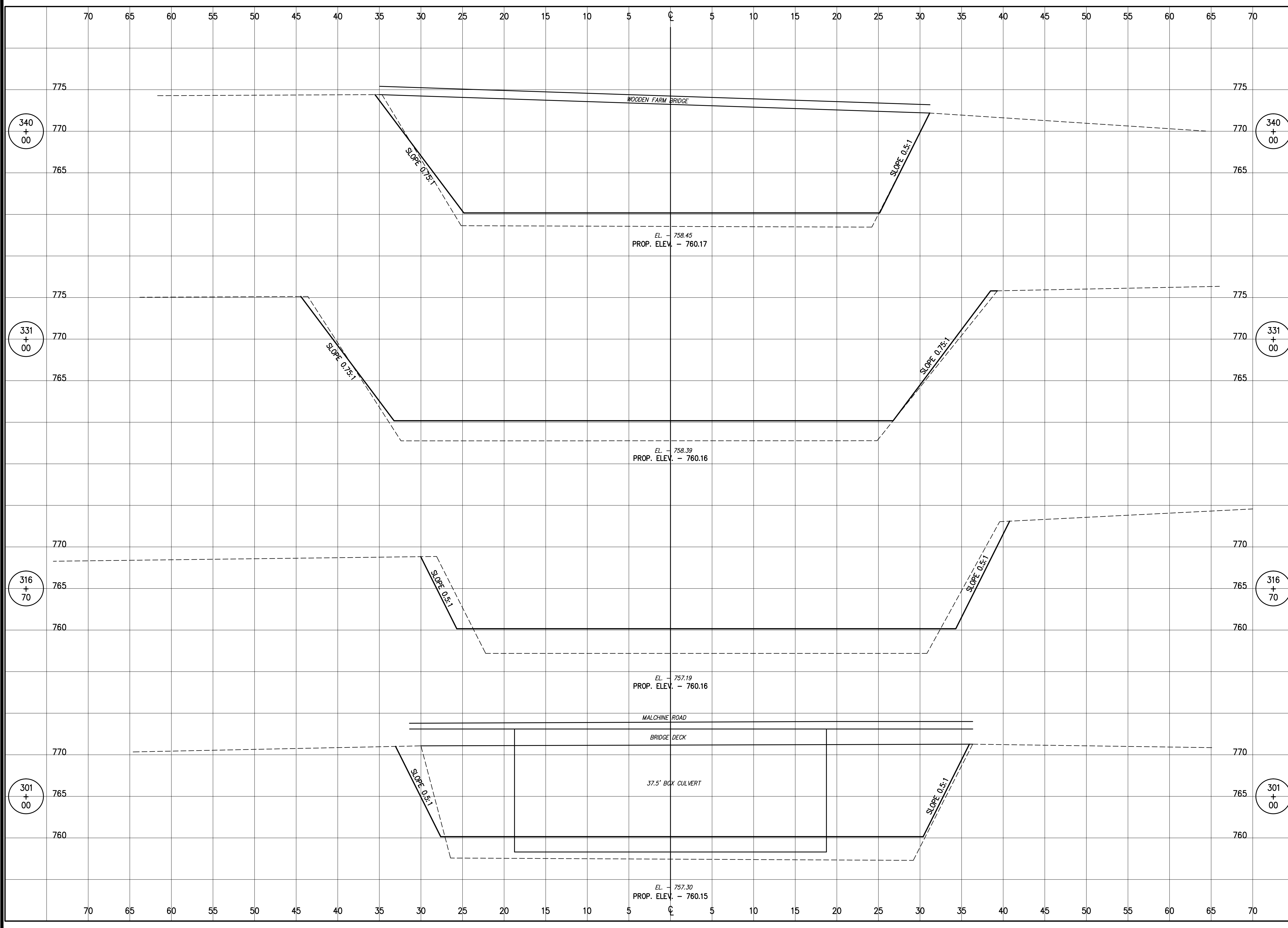
**Nielsen Madsen & Barber S.C.**  
 Civil Engineers and Land Surveyors  
 1339 Washington Ave. Racine, WI. 53403  
 Tele: (262)634-5588 Fax: (262)634-5024  
 Website www.nmbcs.net

**NORWAY / DOVER DRAINAGE  
 DISTRICT MAPPING  
 WIND LAKE CANAL  
 CROSS SECTIONS**  
 RACINE WISCONSIN

NO.	REVISION	BY	DATE

PROJ. MGR: MRM  
 DRAFTED: SCB  
 DATE: 6-15-2010  
 CHECKED: ICB  
 DATE: 6-15-2010

Tuesday, July 27, 2010 4:44:16 PM



**Nielsen Madsen & Barber S.C.**  
 Civil Engineers and Land Surveyors  
 1339 Washington Ave. Racine, WI. 53403  
 Tele: (262)634-5588 Fax: (262)634-5024  
 Website www.nmbasc.net

**NORWAY / DOVER DRAINAGE  
 DISTRICT MAPPING  
 WIND LAKE CANAL  
 CROSS SECTIONS**  
 RACINE WISCONSIN

NO.	REVISION	BY	DATE

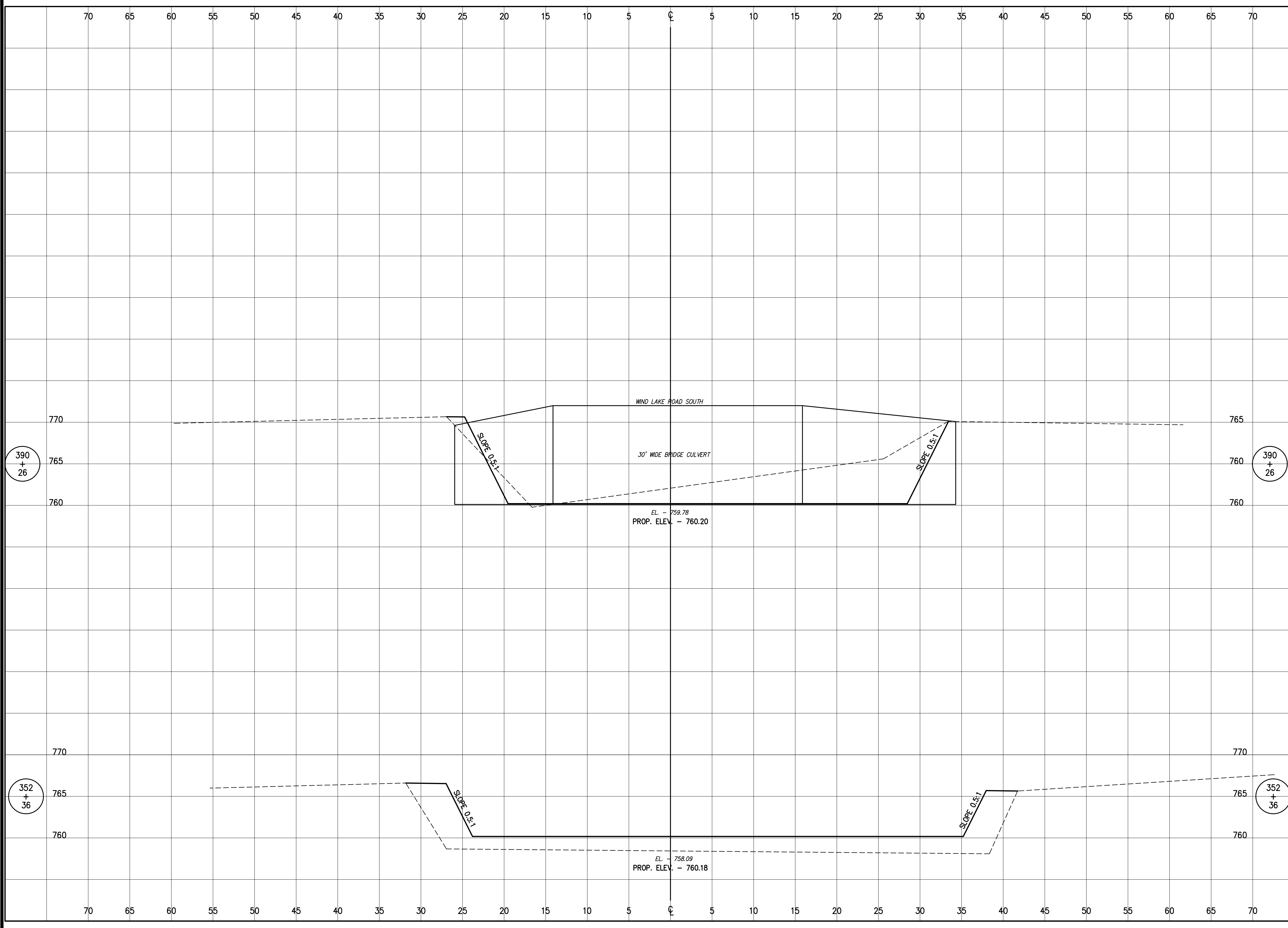
PROJ. MGR: MRM  
 DRAFTED: SCB  
 DATE: 6-15-2010  
 CHECKED: ICB  
 DATE: 6-15-2010

**2010.0022.01**  
 SHEET  
**51 OF 83**



**Nielsen Madsen & Barber S.C.**  
 Civil Engineers and Land Surveyors  
 1339 Washington Ave. Racine, WI. 53403  
 Tele: (262)634-5588 Fax: (262)634-5024  
 Website www.nmbasc.net

**NORWAY / DOVER DRAINAGE  
 DISTRICT MAPPING  
 WIND LAKE CANAL  
 CROSS SECTIONS  
 RACINE WISCONSIN**



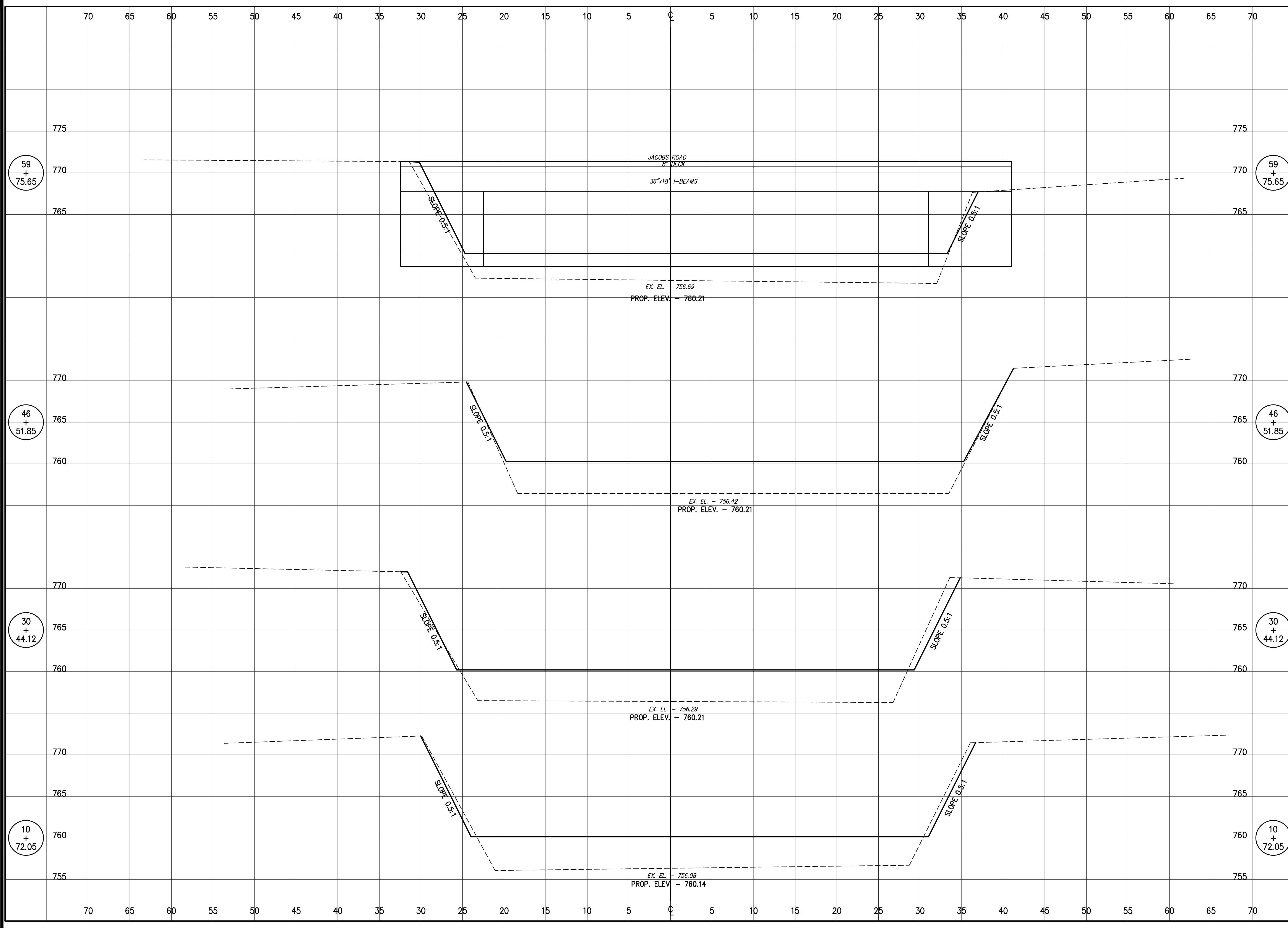
Tuesday, July 27, 2010 4:44:27 PM

NO.	REVISION	BY	DATE

PROJ. MGR: MRM  
 DRAFTED: SCB  
 DATE: 6-15-2010  
 CHECKED: JCB  
 DATE: 6-15-2010

**2010.0022.01**  
 SHEET  
**52** OF **83**

Tuesday, July 27, 2010 4:44:37 PM



**Nielsen Madsen & Barber S.C.**  
 Civil Engineers and Land Surveyors  
 1339 Washington Ave. Racine, WI. 53403  
 Tel: (262)634-5588 Fax: (262)634-5024  
 Website www.nmbasc.net

**NORWAY / DOVER DRAINAGE  
 DISTRICT MAPPING  
 GOOSE LAKE BRANCH SOUTH  
 CROSS SECTIONS**  
 RACINE WISCONSIN

NO.	REVISION	BY	DATE

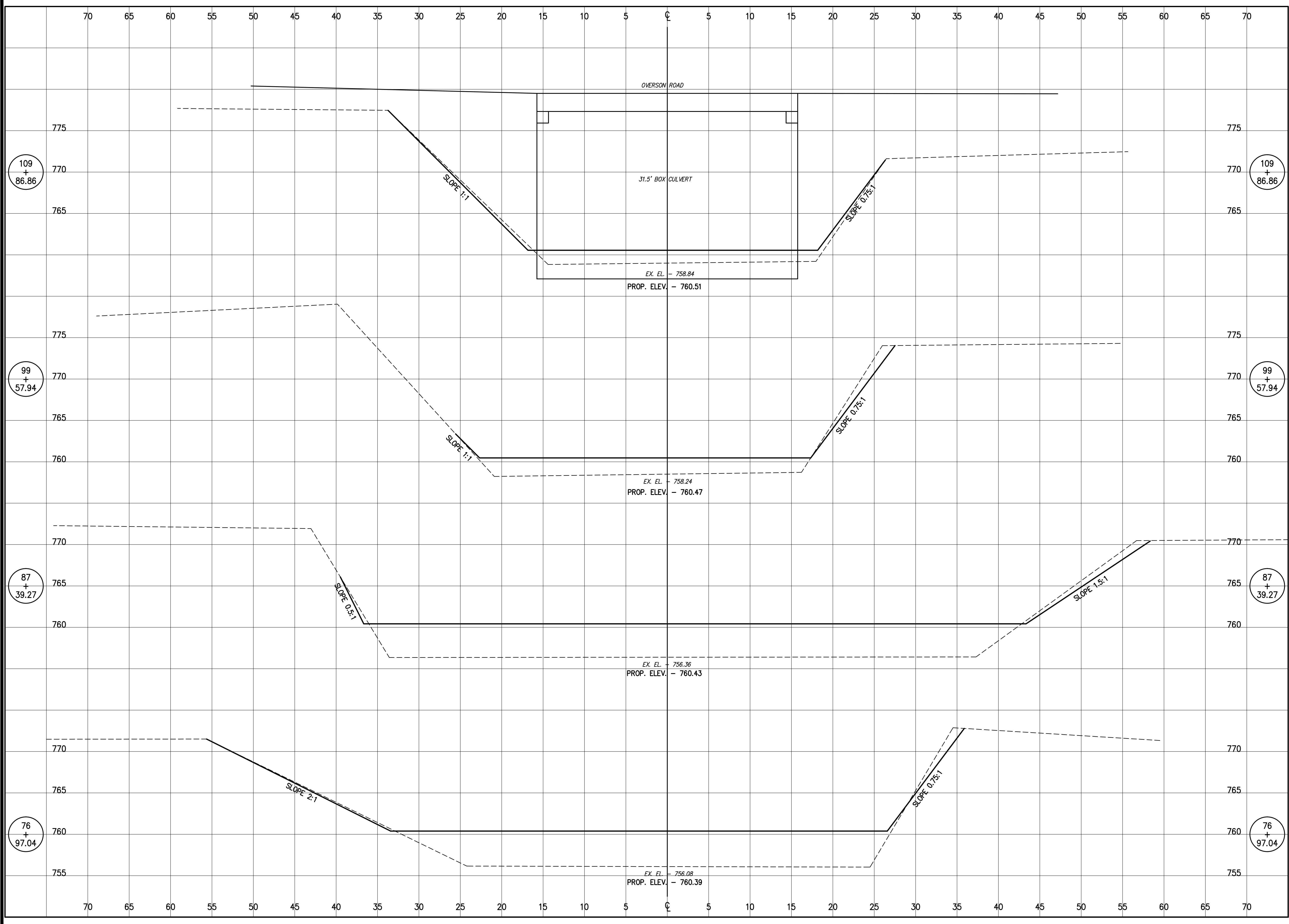
PROJ. MGR: MRM  
 DRAFTED: SCB  
 DATE: 6-15-2010  
 CHECKED: JCB  
 DATE: 6-15-2010  
**2010.0022.01**  
 SHEET  
**53 OF 83**





**Nielsen Madsen & Barber S.C.**  
 Civil Engineers and Land Surveyors  
 1339 Washington Ave. Racine, WI 53403  
 Tele: (262)634-5588 Fax: (262)634-5024  
 Website: www.nmbasc.net

**NORWAY / DOVER DRAINAGE  
 DISTRICT MAPPING  
 GOOSE LAKE BRANCH SOUTH  
 CROSS SECTIONS**  
 RACINE WISCONSIN

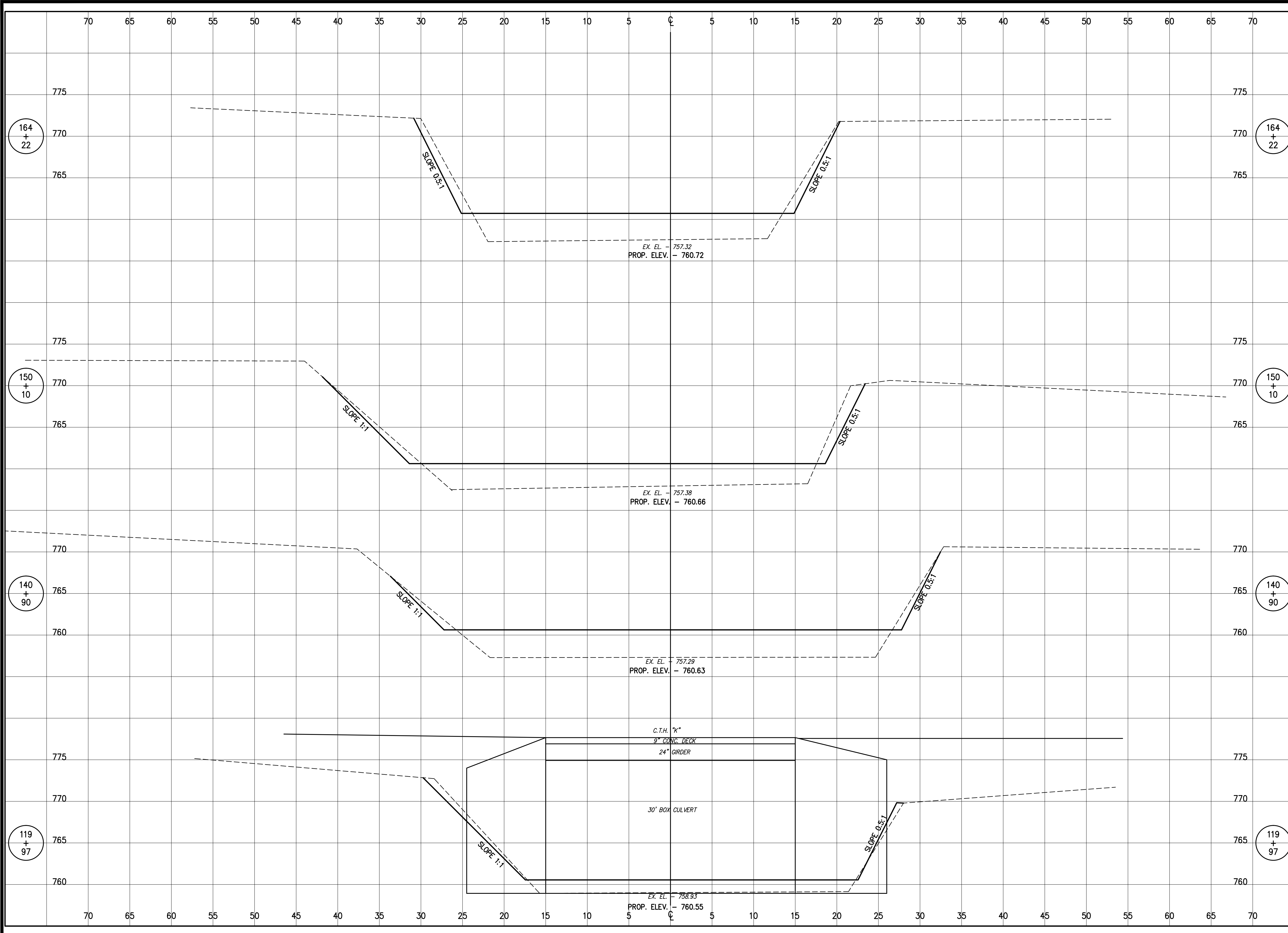


NO.	REVISION	BY	DATE

PROJ. MGR: \_\_\_\_\_ MRM  
 DRAFTED: \_\_\_\_\_ SCB  
 DATE: 6-15-2010  
 CHECKED: \_\_\_\_\_ ICB  
 DATE: 6-15-2010

**2010.0022.01**  
 SHEET  
**54** OF **83**

Tuesday, July 27, 2010 4:44:56 PM



**Nielsen Madsen & Barber S.C.**  
 Civil Engineers and Land Surveyors  
 1339 Washington Ave., Racine, WI. 53403  
 Tel: (262)634-5588 Fax: (262)634-5024  
 Website www.nmbasc.net

**NORWAY / DOVER DRAINAGE  
 DISTRICT MAPPING  
 GOOSE LAKE BRANCH SOUTH  
 CROSS SECTIONS**  
 RACINE WISCONSIN

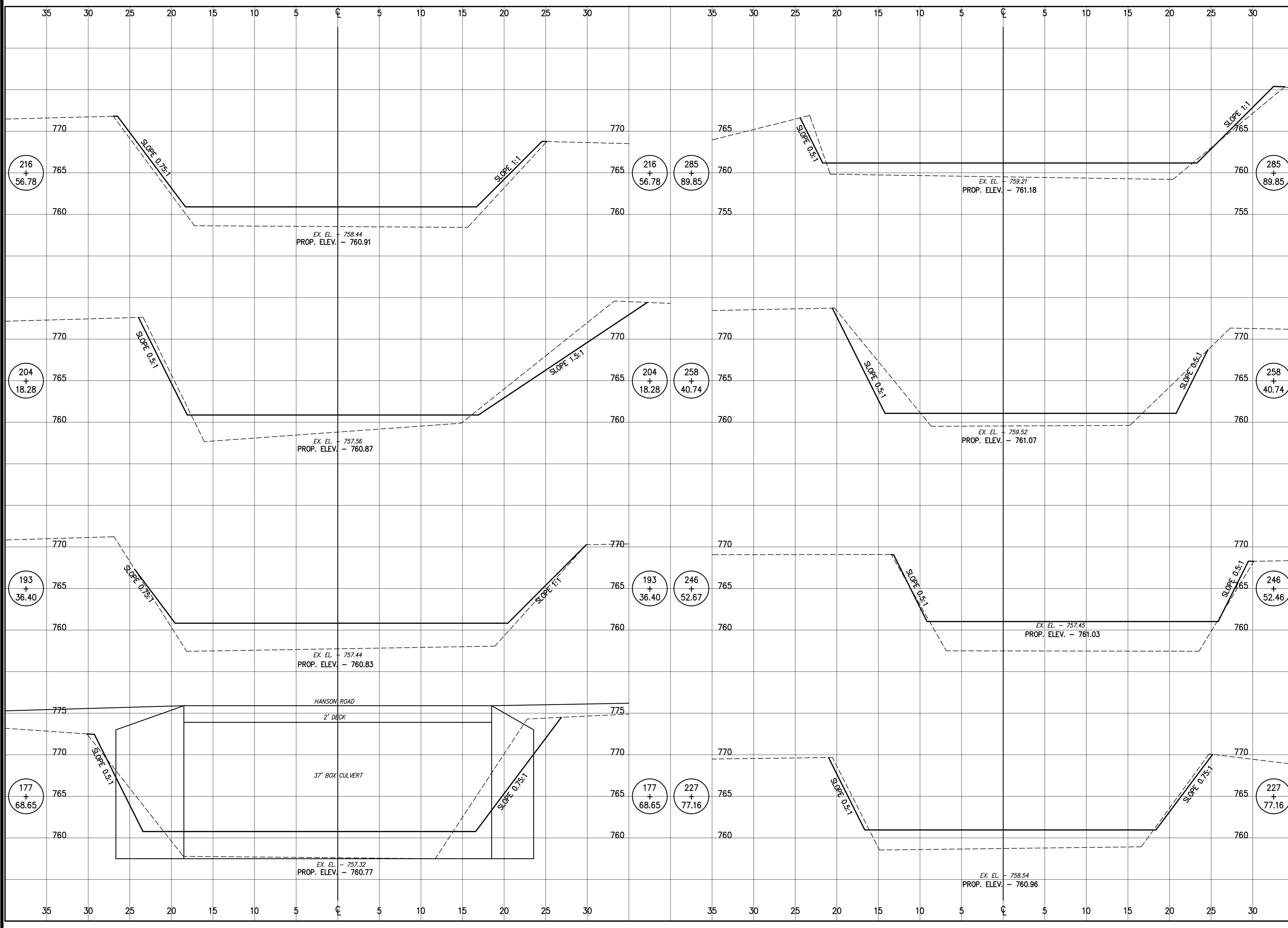
NO.	REVISION	BY	DATE

PROJ. MGR: MRM  
 DRAFTED: SCB  
 DATE: 6-15-2010  
 CHECKED: ICB  
 DATE: 6-15-2010



**Nielsen Madsen & Barber S.C.**  
 Civil Engineers and Land Surveyors  
 1339 Washington Ave. Racine, WI. 53403  
 Tele: (262)634-5588 Fax: (262)634-5024  
 Website www.nmbasc.net

**NORWAY / DOVER DRAINAGE  
 DISTRICT MAPPING  
 GOOSE LAKE BRANCH  
 CROSS SECTIONS  
 RACINE WISCONSIN**



Tuesday, July 27, 2010 4:45:06 PM

NO.	REVISION	BY	DATE

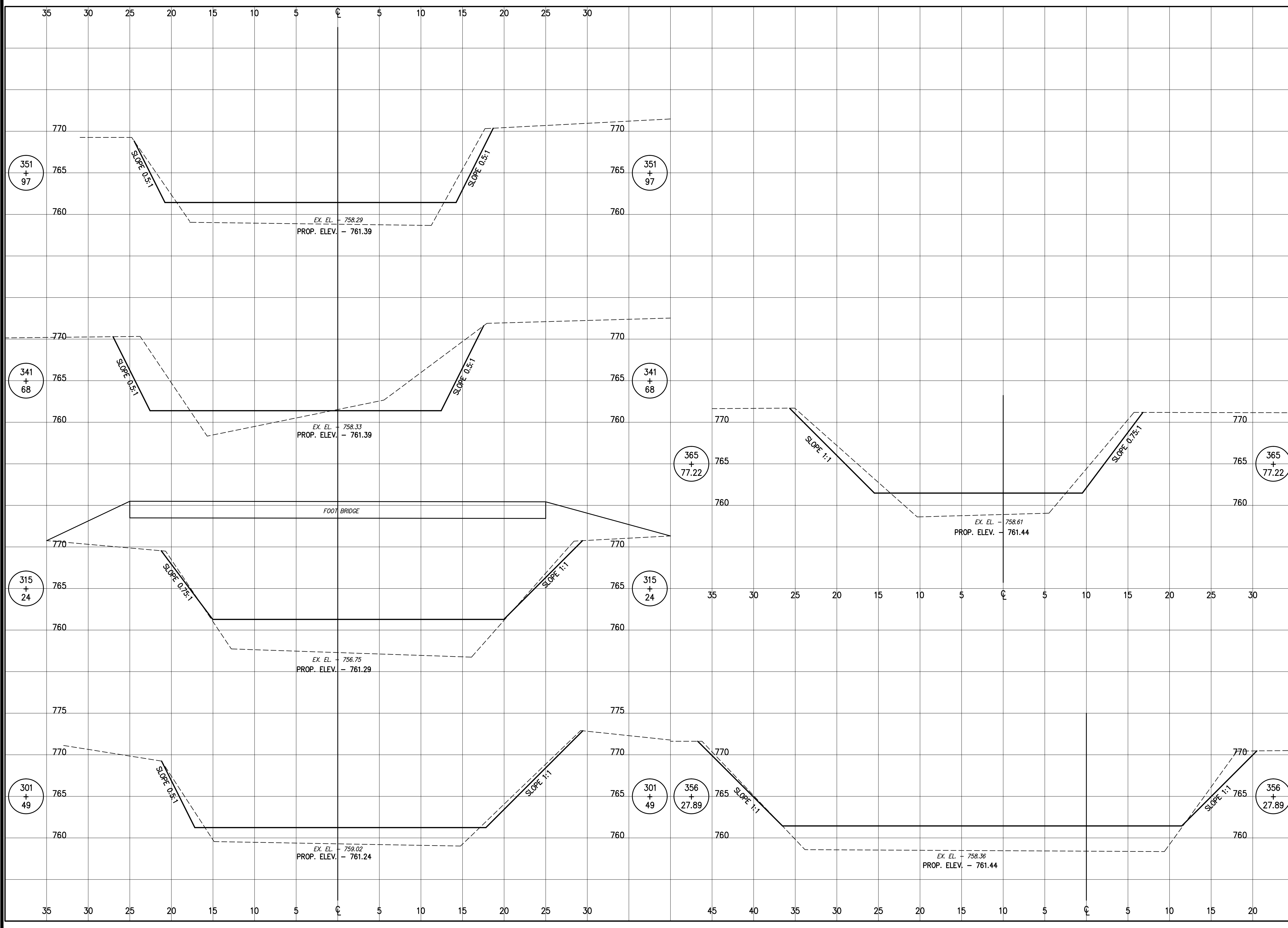
PROJ. MGR: MRM  
 DRAFTED: SCB  
 DATE: 6-15-2010  
 CHECKED: JCB  
 DATE: 6-15-2010

2010.0022.01  
 SHEET  
**56** OF **83**



**Nielsen Madsen & Barber S.C.**  
 Civil Engineers and Land Surveyors  
 1339 Washington Ave. Racine, WI. 53403  
 Tele: (262)634-5588 Fax: (262)634-5024  
 Website www.nmbasc.net

**NORWAY / DOVER DRAINAGE  
 DISTRICT MAPPING  
 GOOSE LAKE BRANCH  
 CROSS SECTIONS  
 RACINE WISCONSIN**



Tuesday, July 27, 2010 4:45:17 PM

NO.	REVISION	BY	DATE

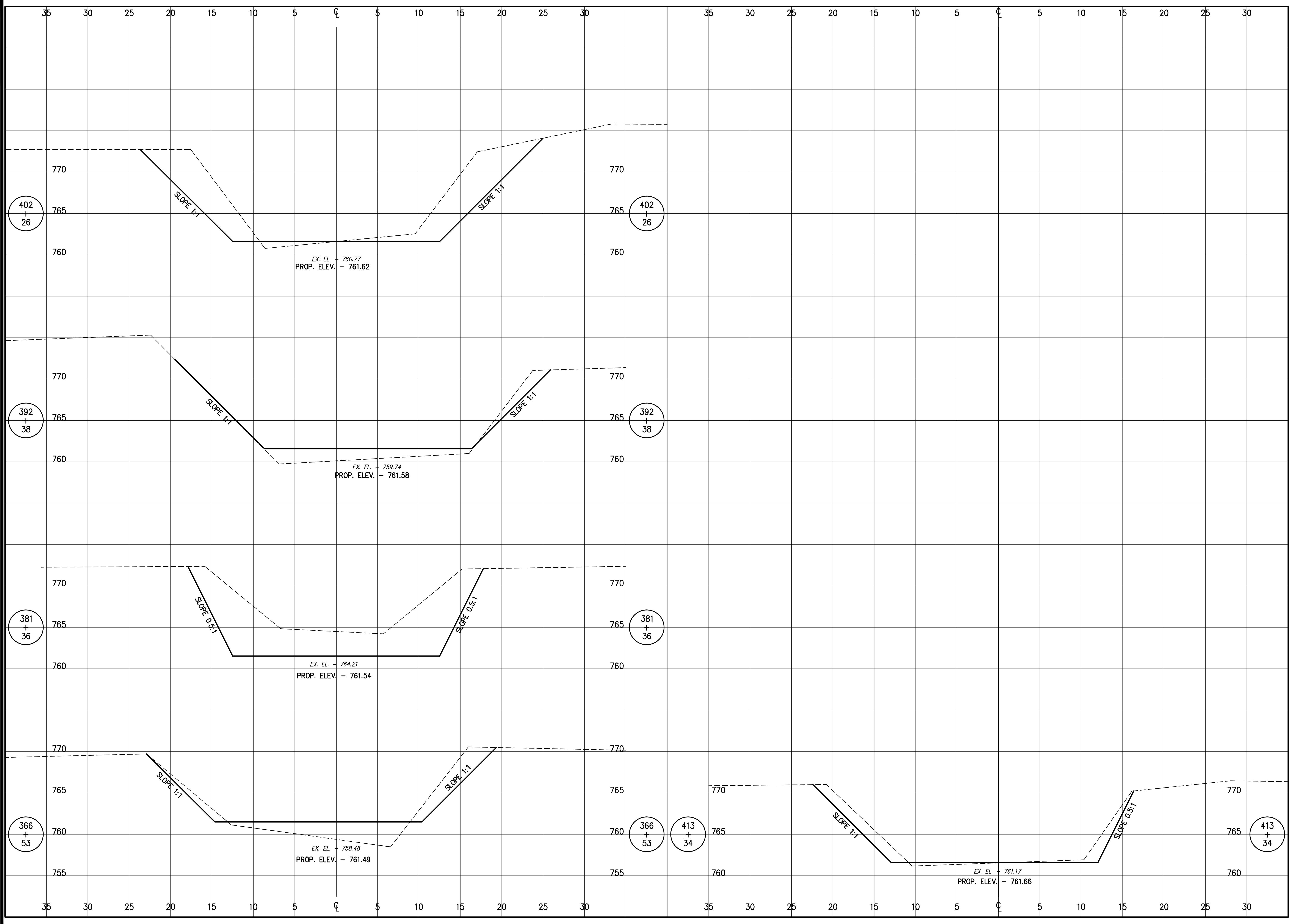
PROJ. MGR: MRM  
 DRAFTED: SCB  
 DATE: 6-15-2010  
 CHECKED: JCB  
 DATE: XX-XX-2010

2010.0022.01  
 SHEET  
 57 OF 83



**Nielsen Madsen & Barber S.C.**  
 Civil Engineers and Land Surveyors  
 1339 Washington Ave. Racine, WI. 53403  
 Tele: (262)634-5588 Fax: (262)634-5024  
 Website www.nmbcs.net

**NORWAY / DOVER DRAINAGE  
 DISTRICT MAPPING  
 GOOSE LAKE BRANCH  
 CROSS SECTIONS  
 RACINE WISCONSIN**



Tuesday, July 27, 2010 4:45:26 PM

NO.	REVISION	BY	DATE

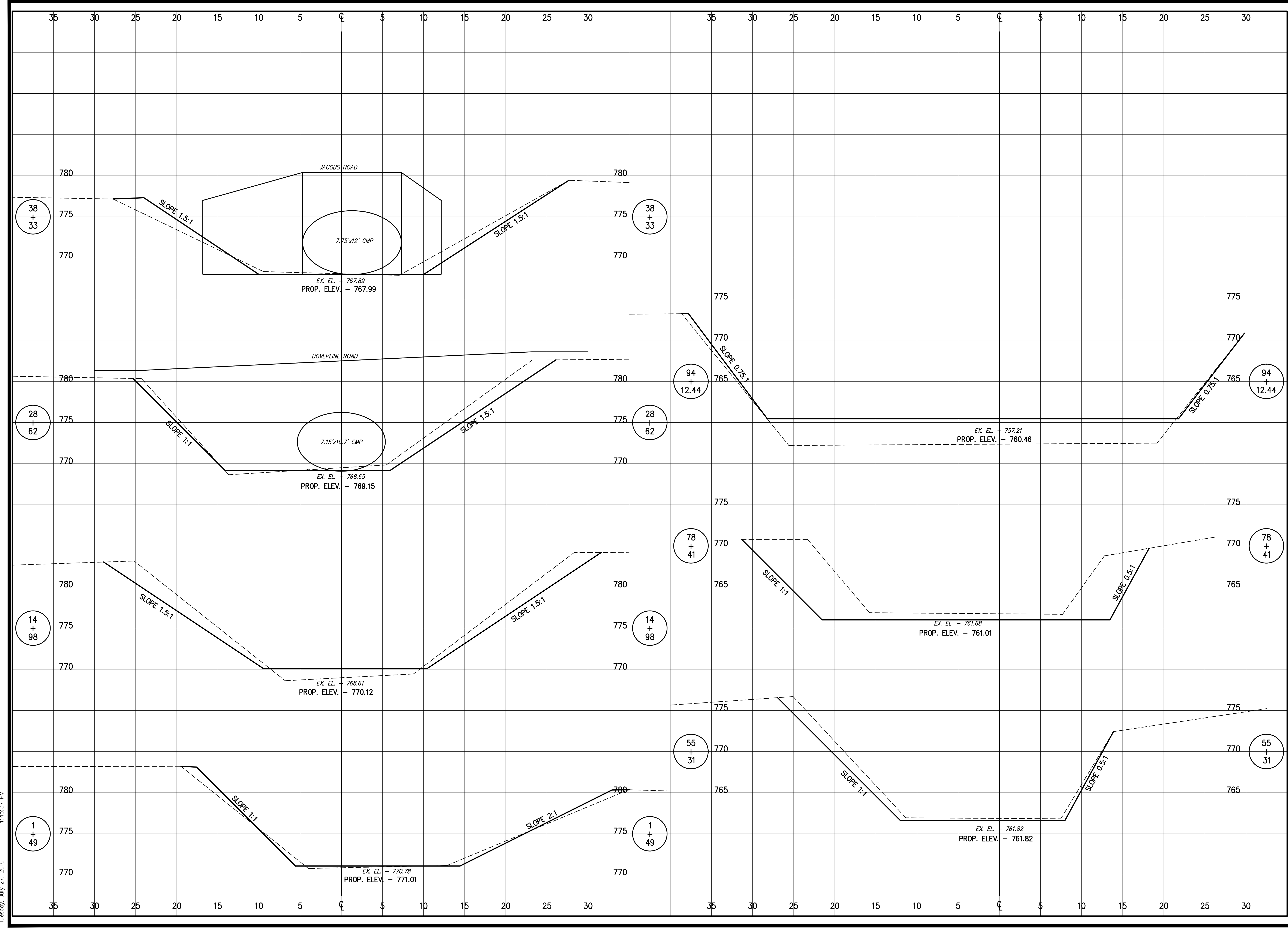
PROJ. MGR: MRM  
 DRAFTED: SCB  
 DATE: 6-15-2010  
 CHECKED: JCB  
 DATE: 6-15-2010

2010.0022.01  
 SHEET  
 58 OF 83



Nielsen Madsen & Barber S.C.  
Civil Engineers and Land Surveyors  
1339 Washington Ave. Racine, WI. 53403  
Tel: (262)634-5588 Fax: (262)634-5024  
Website www.nmbasc.net

**NORWAY / DOVER DRAINAGE  
DISTRICT MAPPING  
DOVER DITCH  
CROSS SECTIONS  
RACINE WISCONSIN**



Tuesday, July 27, 2010 4:45:37 PM

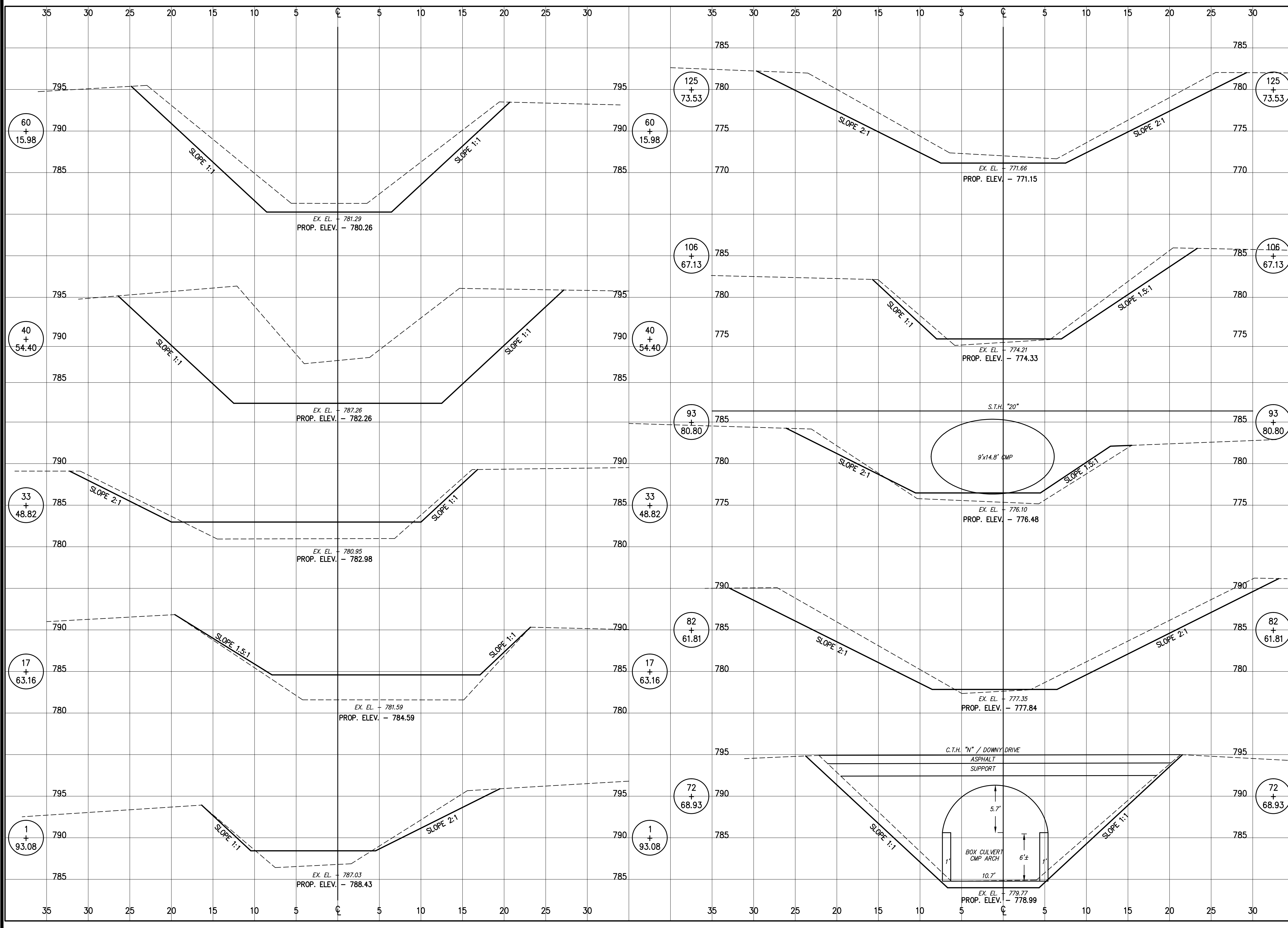
NO.	REVISION	BY	DATE

PROJ. MGR: MRM  
DRAFTED: SCB  
DATE: 6-15-2010  
CHECKED: ICB  
DATE: 6-15-2010  
**2010.0022.01**  
SHEET  
**59** OF **83**



**Nielsen Madsen & Barber S.C.**  
 Civil Engineers and Land Surveyors  
 1339 Washington Ave. Racine, WI. 53403  
 Tele: (262)634-5588 Fax: (262)634-5024  
 Website www.nmbssc.net

**NORWAY / DOVER DRAINAGE DISTRICT MAPPING  
 W. BRANCH DOVER DITCH CROSS SECTIONS  
 RACINE WISCONSIN**



Tuesday, July 27, 2010 4:45:47 PM

NO.	REVISION	BY	DATE

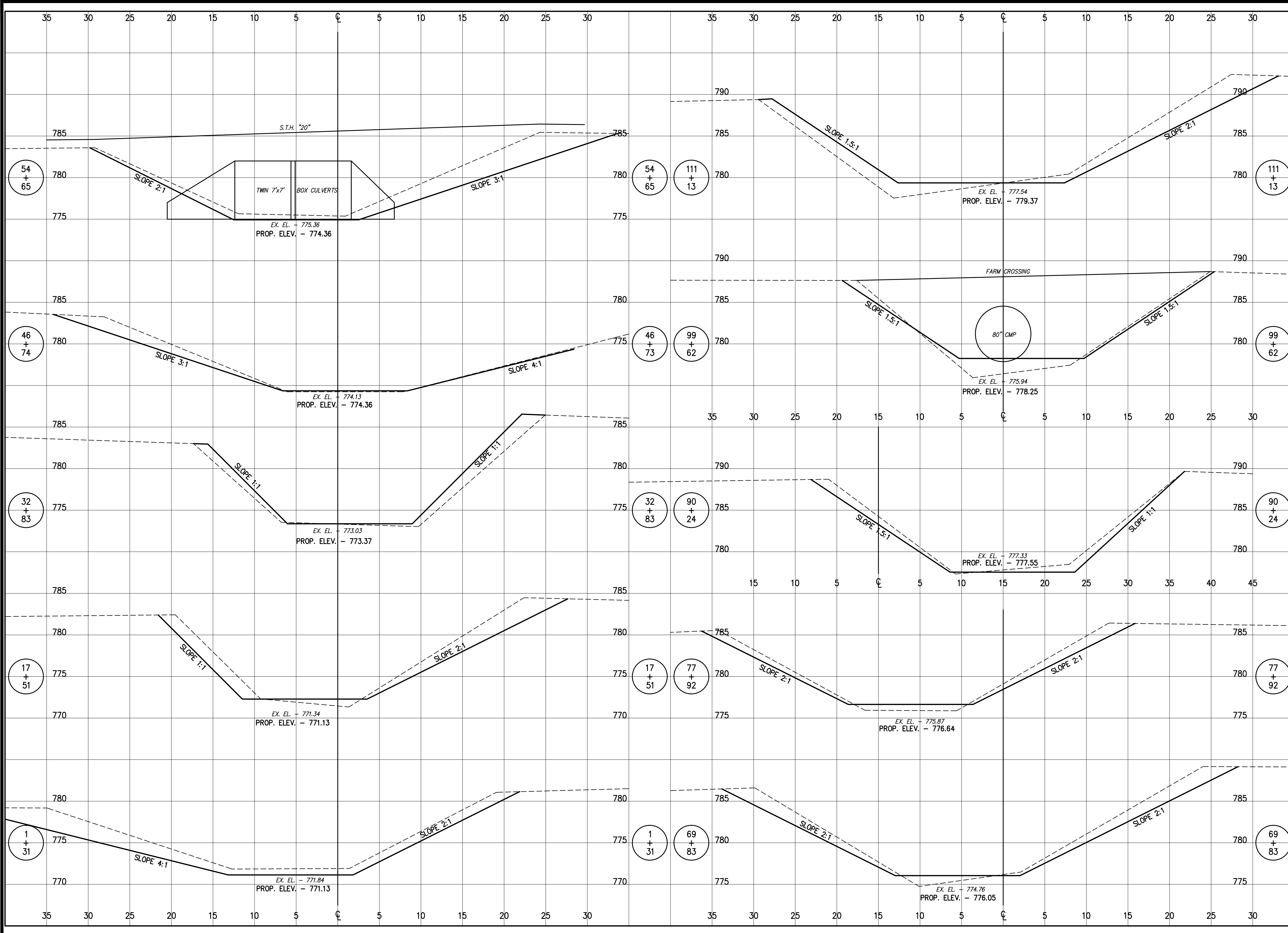
PROJ. MGR: MRM  
 DRAFTED: SCB  
 DATE: 6-15-2010  
 CHECKED: JCB  
 DATE: 6-15-2010

2010.0022.01  
 SHEET  
**60** OF **83**



Nielsen Madsen & Barber S.C.  
Civil Engineers and Land Surveyors  
1339 Washington Ave. Racine, WI. 53403  
Tele: (262)634-5588 Fax: (262)634-5024  
Website www.nmbasc.net

**NORWAY / DOVER DRAINAGE  
DISTRICT MAPPING  
E. BRANCH DOVER DITCH  
CROSS SECTIONS  
RACINE WISCONSIN**



Tuesday, July 27, 2010 4:45:56 PM

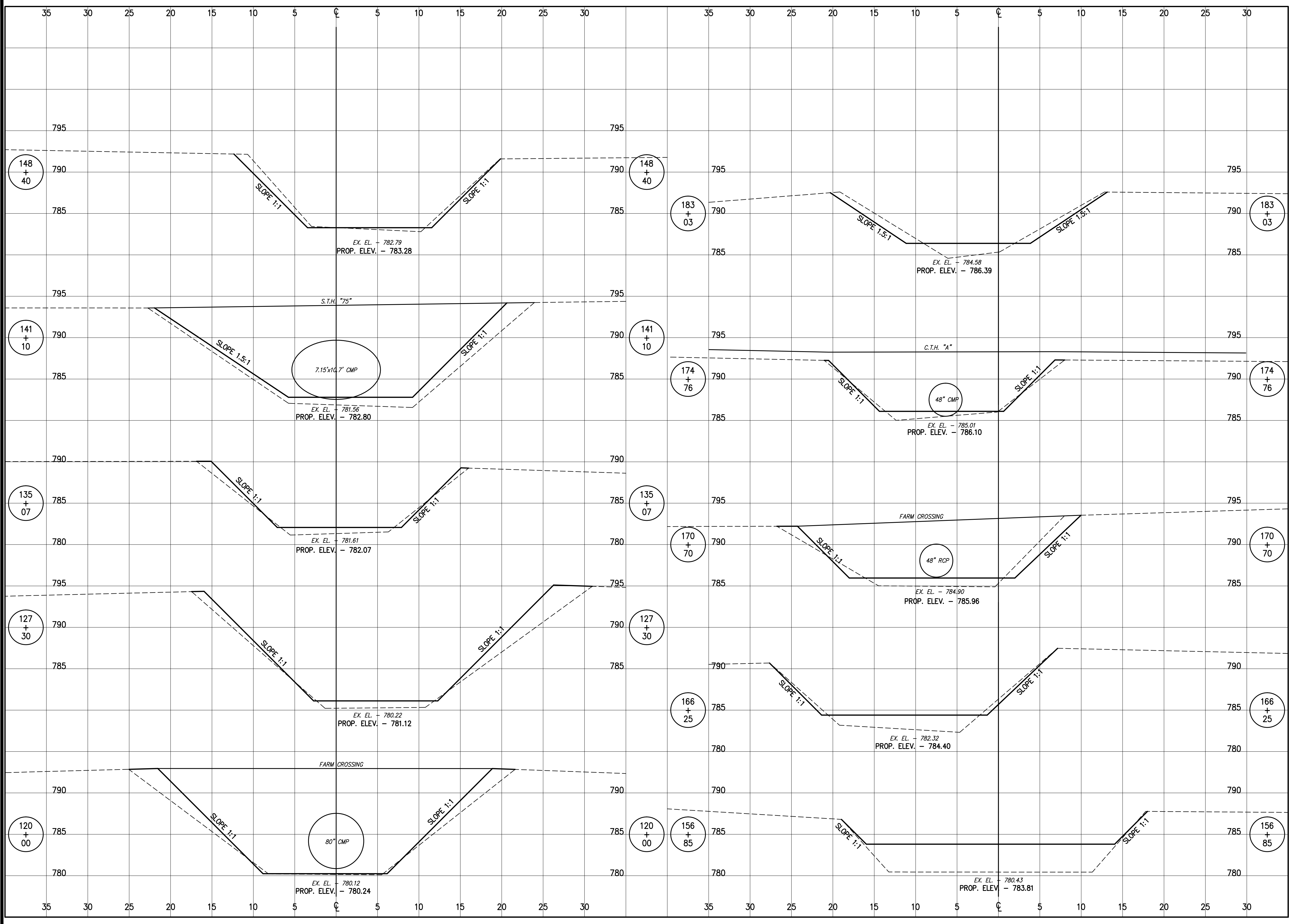
NO.	REVISION	BY	DATE

PROJ. MGR: MRM  
DRAFTED: SCB  
DATE: 6-15-2010  
CHECKED: JCB  
DATE: 6-15-2010

2010.0022.01  
SHEET  
**61** OF **83**



Tuesday, July 27, 2010 4:46:06 PM



**Nielsen Madsen & Barber S.C.**  
 Civil Engineers and Land Surveyors  
 1339 Washington Ave. Racine, WI. 53403  
 Tele: (262)634-5588 Fax: (262)634-5024  
 Website: www.nmbasc.net

**NORWAY / DOVER DRAINAGE  
 DISTRICT MAPPING  
 E. BRANCH DOVER DITCH  
 CROSS SECTIONS  
 RACINE WISCONSIN**

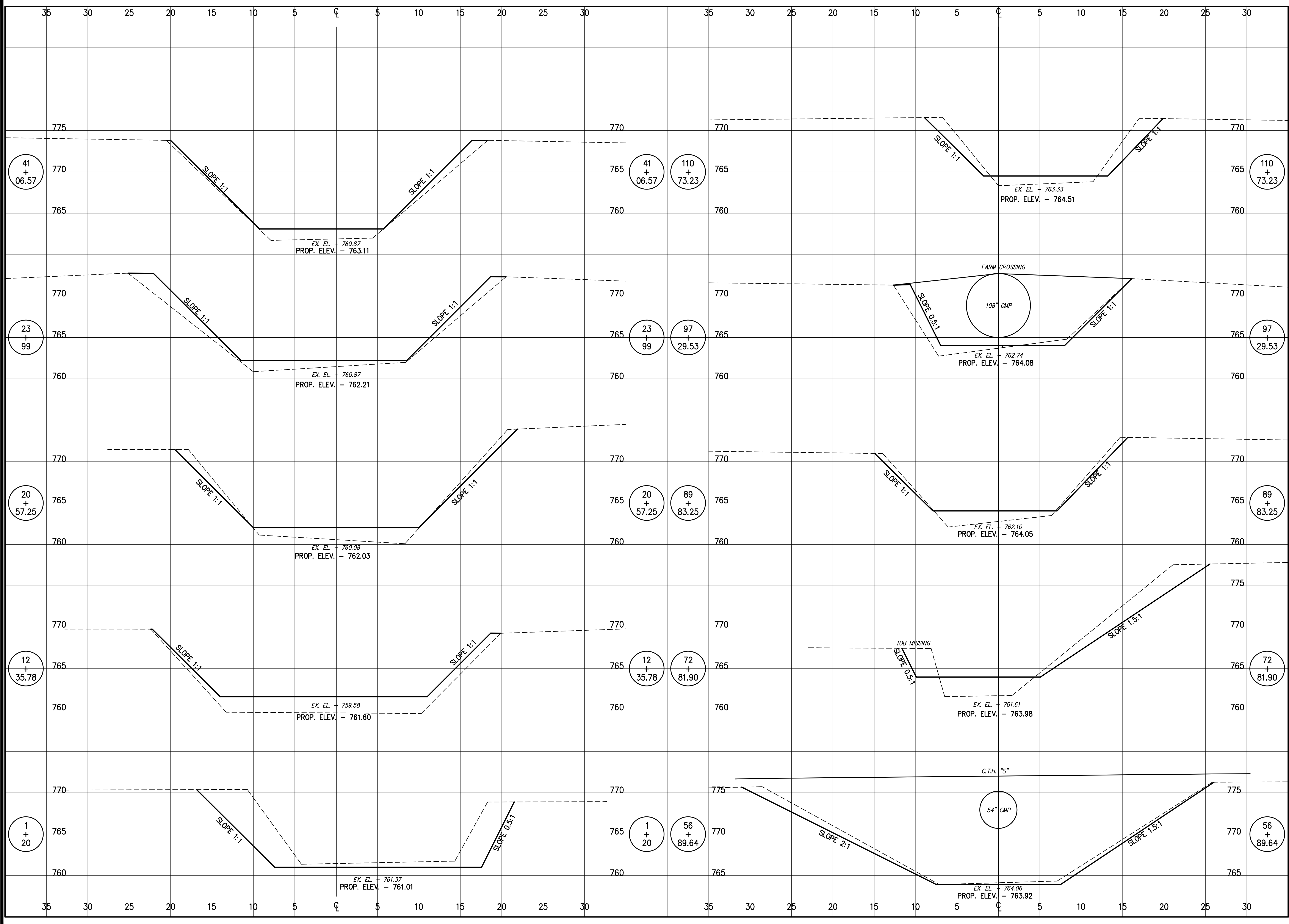
NO.	REVISION	BY	DATE

PROJ. MGR: MRM  
 DRAFTED: SCB  
 DATE: 6-15-2010  
 CHECKED: ICB  
 DATE: 6-15-2010  
**2010.0022.01**  
 SHEET  
**62 OF 83**



Nielsen Madsen & Barber S.C.  
Civil Engineers and Land Surveyors  
1339 Washington Ave. Racine, WI. 53403  
Tele: (262)634-5588 Fax: (262)634-5024  
Website: www.nmbasc.net

**NORWAY / DOVER DRAINAGE  
DISTRICT MAPPING  
NORTH CAPE DITCH  
CROSS SECTIONS**  
RACINE WISCONSIN



Tuesday, July 27, 2010 4:46:16 PM

NO.	REVISION	BY	DATE

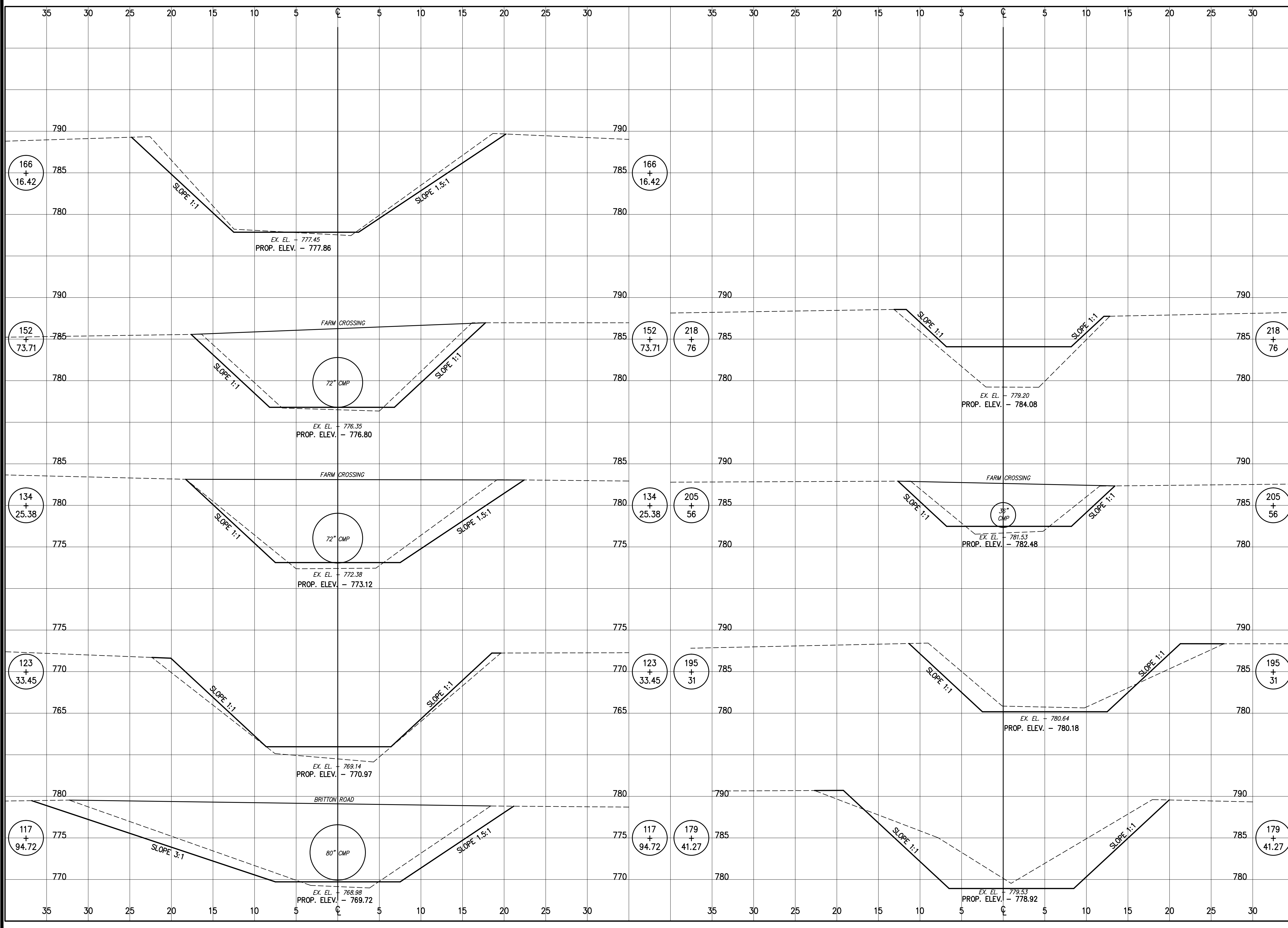
PROJ. MGR: MRM  
DRAFTED: SCB  
DATE: 6-15-2010  
CHECKED: JCB  
DATE: 6-15-2010

2010.0022.01  
SHEET  
**63** OF **83**



Nielsen Madsen & Barber S.C.  
Civil Engineers and Land Surveyors  
1339 Washington Ave. Racine, WI. 53403  
Tel: (262)634-5588 Fax: (262)634-5024  
Website www.nmbasc.net

**NORWAY / DOVER DRAINAGE  
DISTRICT MAPPING  
NORTH CAPE DITCH  
CROSS SECTIONS**  
RACINE WISCONSIN



Tuesday, July 27, 2010 4:46:26 PM

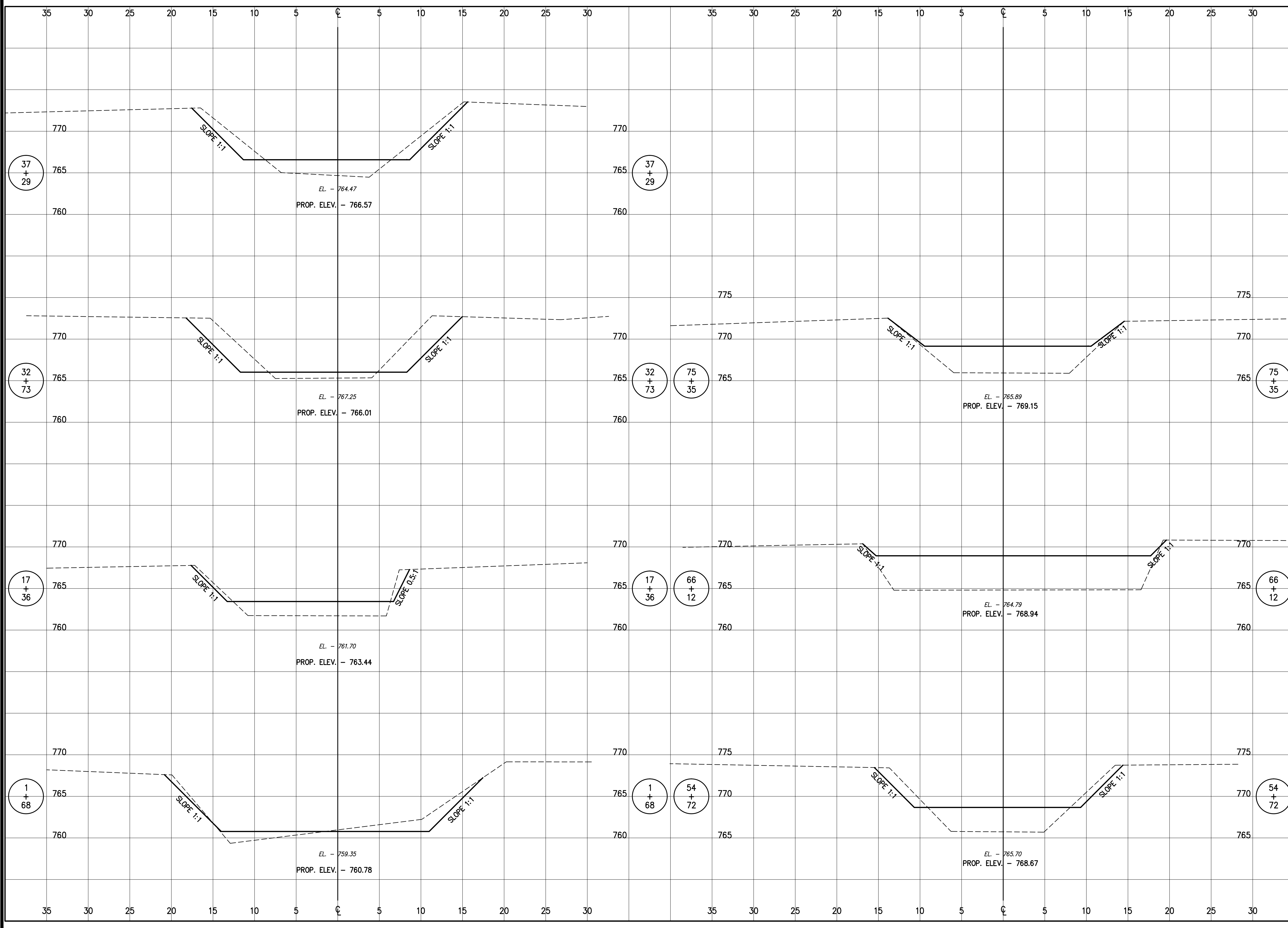
NO.	REVISION	BY	DATE

PROJ. MGR: MRM  
DRAFTED: SCB  
DATE: 6-15-2010  
CHECKED: ICB  
DATE: 6-15-2010  
**2010.0022.01**  
SHEET  
**64 OF 83**



Nielsen Madsen & Barber S.C.  
 Civil Engineers and Land Surveyors  
 1339 Washington Ave. Racine, WI. 53403  
 Tele: (262)634-5588 Fax: (262)634-5024  
 Website www.nmbcs.net

**NORWAY / DOVER DRAINAGE  
 DISTRICT MAPPING  
 DITCH NO. 6  
 CROSS SECTIONS  
 RACINE WISCONSIN**

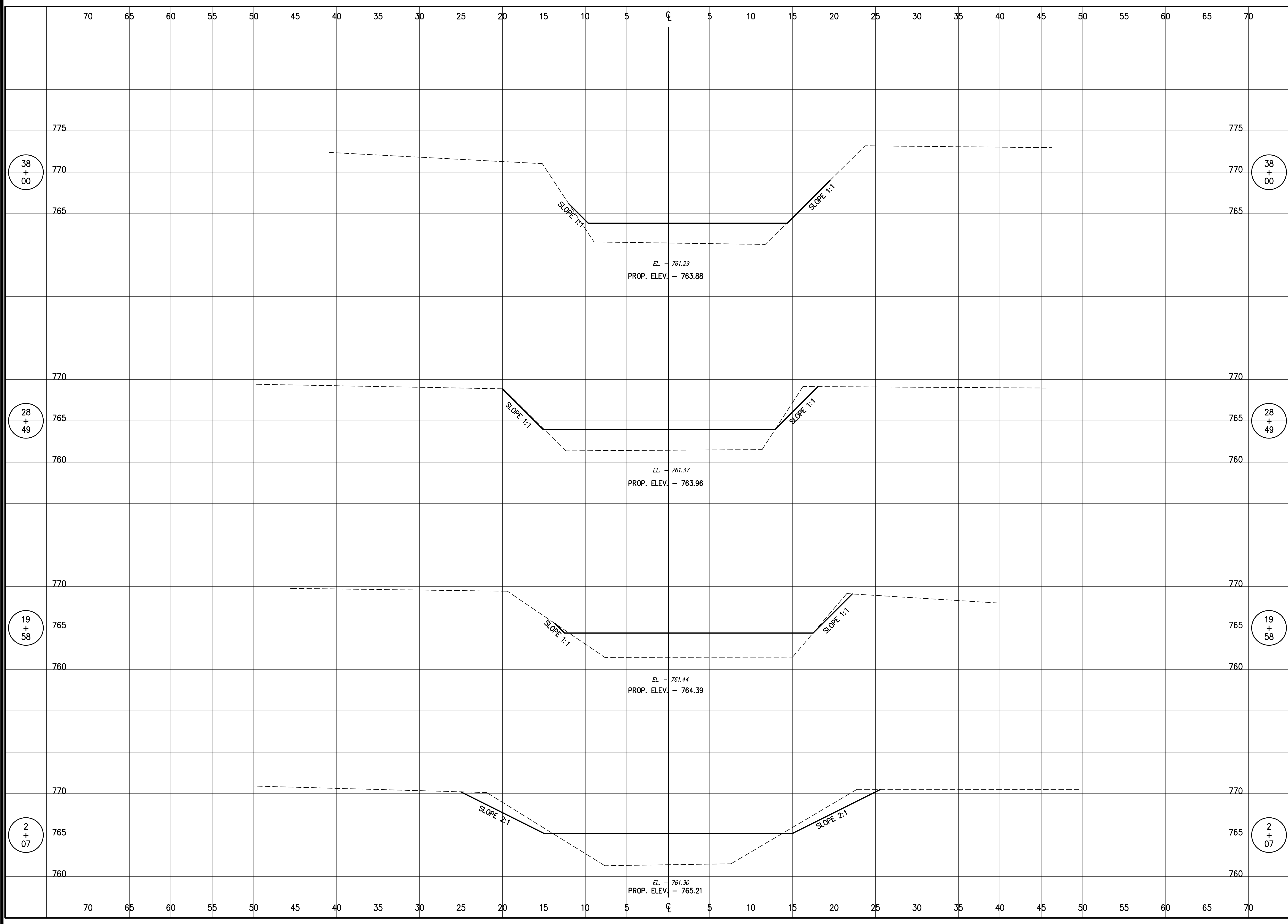


Tuesday, July 27, 2010 4:46:37 PM

NO.	REVISION	BY	DATE

PROJ. MGR: MRM  
 DRAFTED: SCB  
 DATE: 6-15-2010  
 CHECKED: ICB  
 DATE: 6-15-2010

Tuesday, July 27, 2010 4:46:46 PM



**Nielsen Madsen & Barber S.C.**  
 Civil Engineers and Land Surveyors  
 1339 Washington Ave. Racine, WI. 53403  
 Tele: (262)634-5588 Fax: (262)634-5024  
 Website [www.nmbasc.net](http://www.nmbasc.net)

**NORWAY / DOVER DRAINAGE  
 DISTRICT MAPPING  
 DITCH NO. 10  
 CROSS SECTIONS  
 RACINE WISCONSIN**

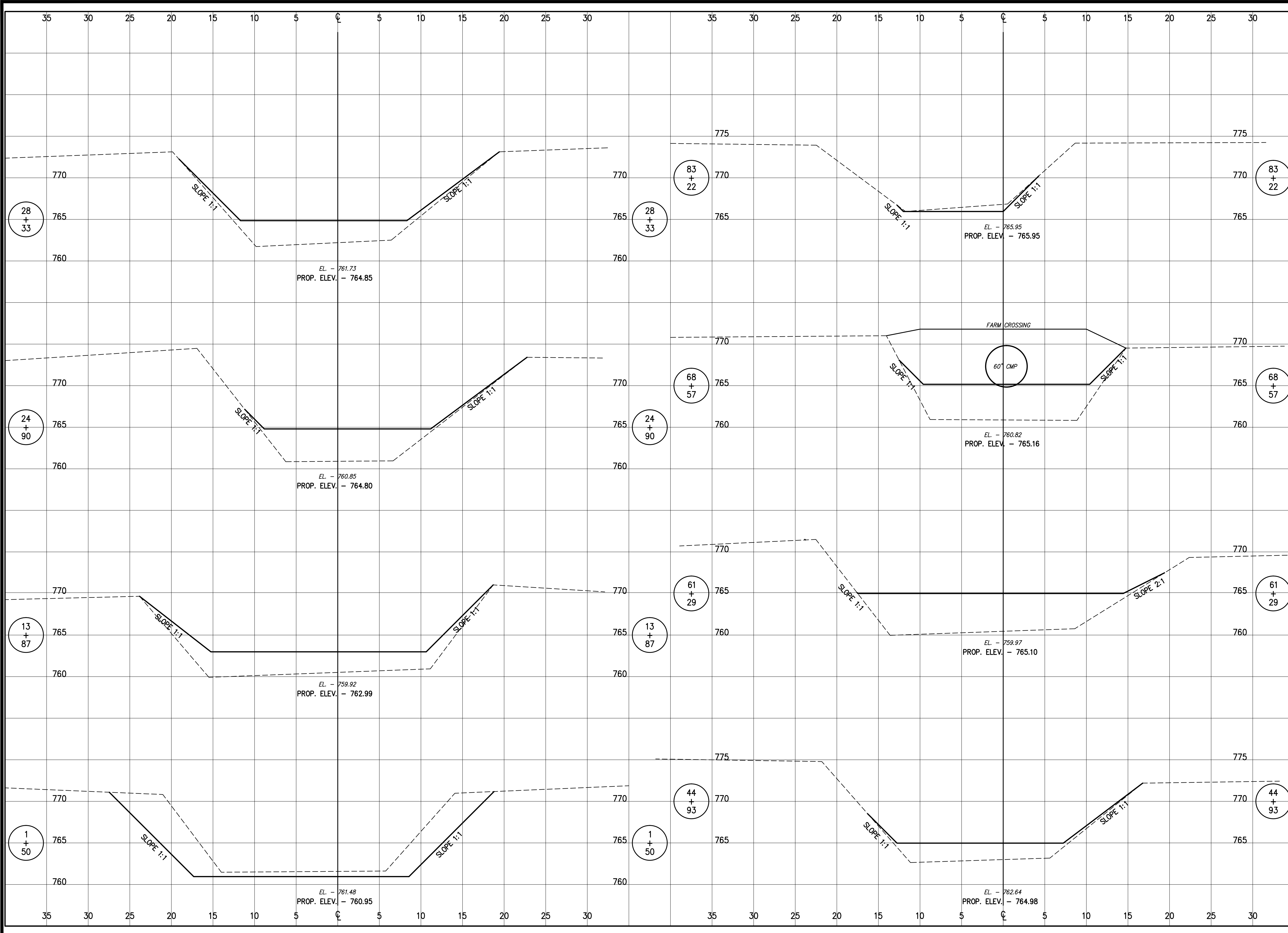
NO.	REVISION	BY	DATE

PROJ. MGR:          MRM  
 DRAFTED:          SCB  
 DATE:          6-15-2010  
 CHECKED:          ICB  
 DATE:          6-15-2010



**Nielsen Madsen & Barber S.C.**  
 Civil Engineers and Land Surveyors  
 1339 Washington Ave. Racine, WI. 53403  
 Tele: (262)634-5588 Fax: (262)634-5024  
 Website www.nmbasc.net

**NORWAY / DOVER DRAINAGE DISTRICT MAPPING  
 DITCH NO. 5 CROSS SECTIONS  
 RACINE WISCONSIN**



Tuesday, July 27, 2010 4:46:56 PM

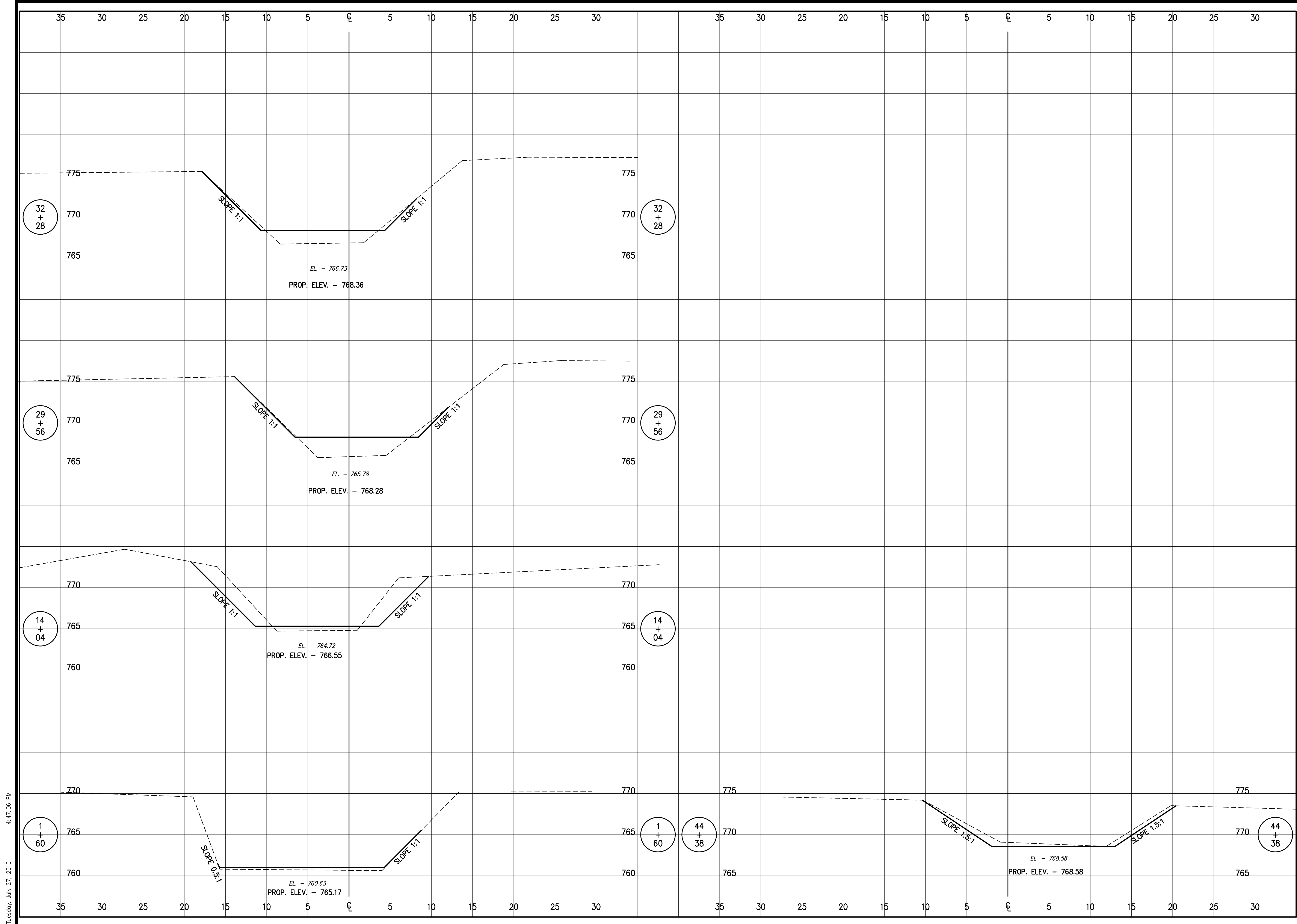
NO.	REVISION	BY	DATE

PROJ. MGR: MRM  
 DRAFTED: SCB  
 DATE: 6-15-2010  
 CHECKED: ICB  
 DATE: 6-15-2010  
**2010.0022.01**  
 SHEET  
**67 OF 83**



**Nielsen Madsen & Barber S.C.**  
 Civil Engineers and Land Surveyors  
 1339 Washington Ave. Racine, WI. 53403  
 Tele: (262)634-5588 Fax: (262)634-5024  
 Website www.nmbasc.net

**NORWAY / DOVER DRAINAGE  
 DISTRICT MAPPING  
 DITCH NO. 5 A  
 CROSS SECTIONS  
 RACINE WISCONSIN**



Tuesday, July 27, 2010 4:47:06 PM

NO.	REVISION	BY	DATE

PROJ. MGR: MRM  
 DRAFTED: SCB  
 DATE: 6-15-2010  
 CHECKED: JCB  
 DATE: 6-15-2010

**2010.0022.01**  
 SHEET  
**68** OF **83**



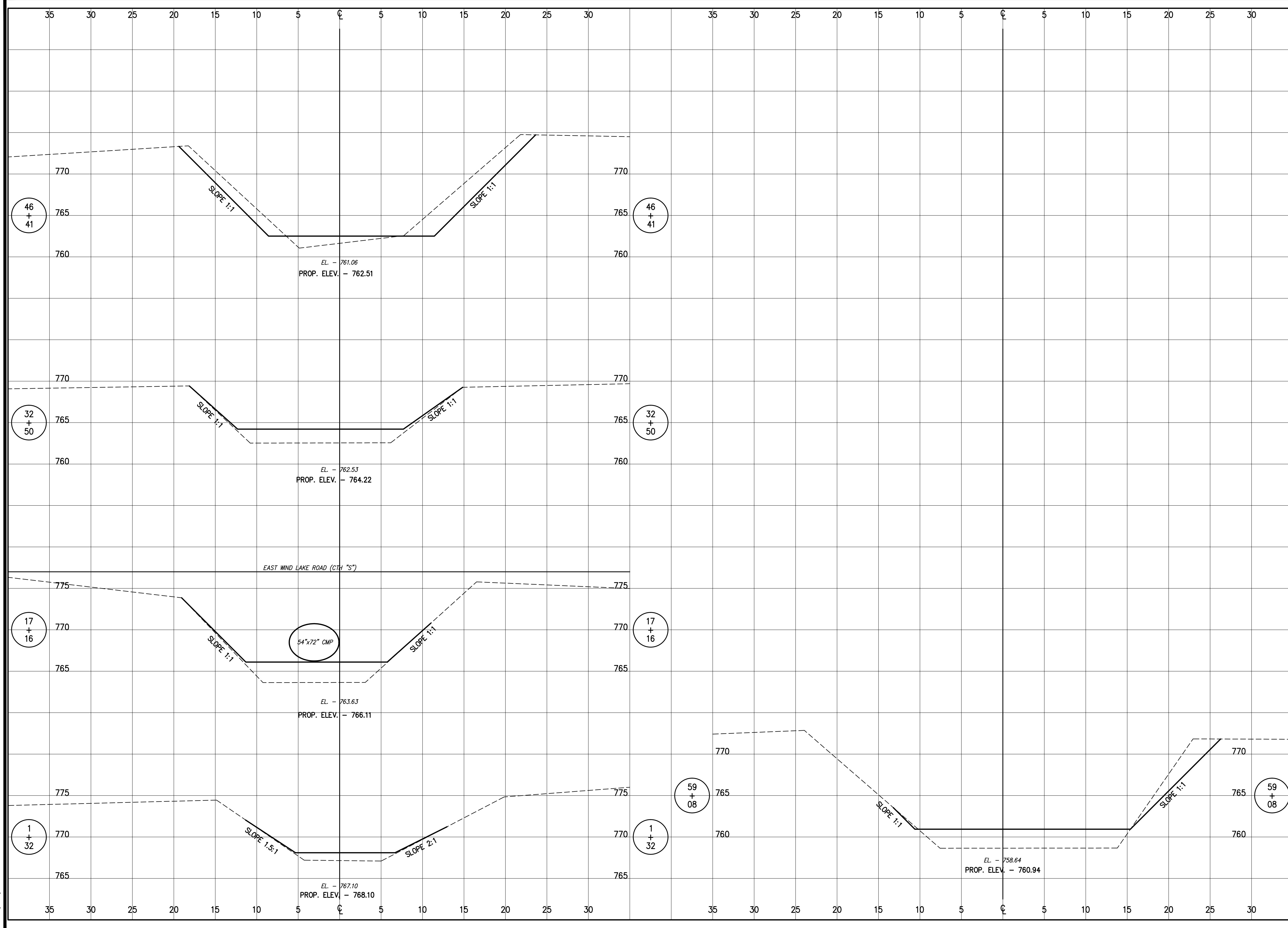
Nielsen Madsen & Barber S.C.  
Civil Engineers and Land Surveyors  
1339 Washington Ave. Racine, WI. 53403  
Tele: (262)634-5588 Fax: (262)634-5024  
Website www.nmbcsc.net

**NORWAY / DOVER DRAINAGE  
DISTRICT MAPPING  
DITCH NO. 9  
CROSS SECTIONS  
RACINE WISCONSIN**

NO.	REVISION	BY	DATE

PROJ. MGR: MRM  
DRAFTED: SCB  
DATE: 6-15-2010  
CHECKED: JCB  
DATE: 6-15-2010

2010.0022.01  
SHEET  
**69** OF **83**



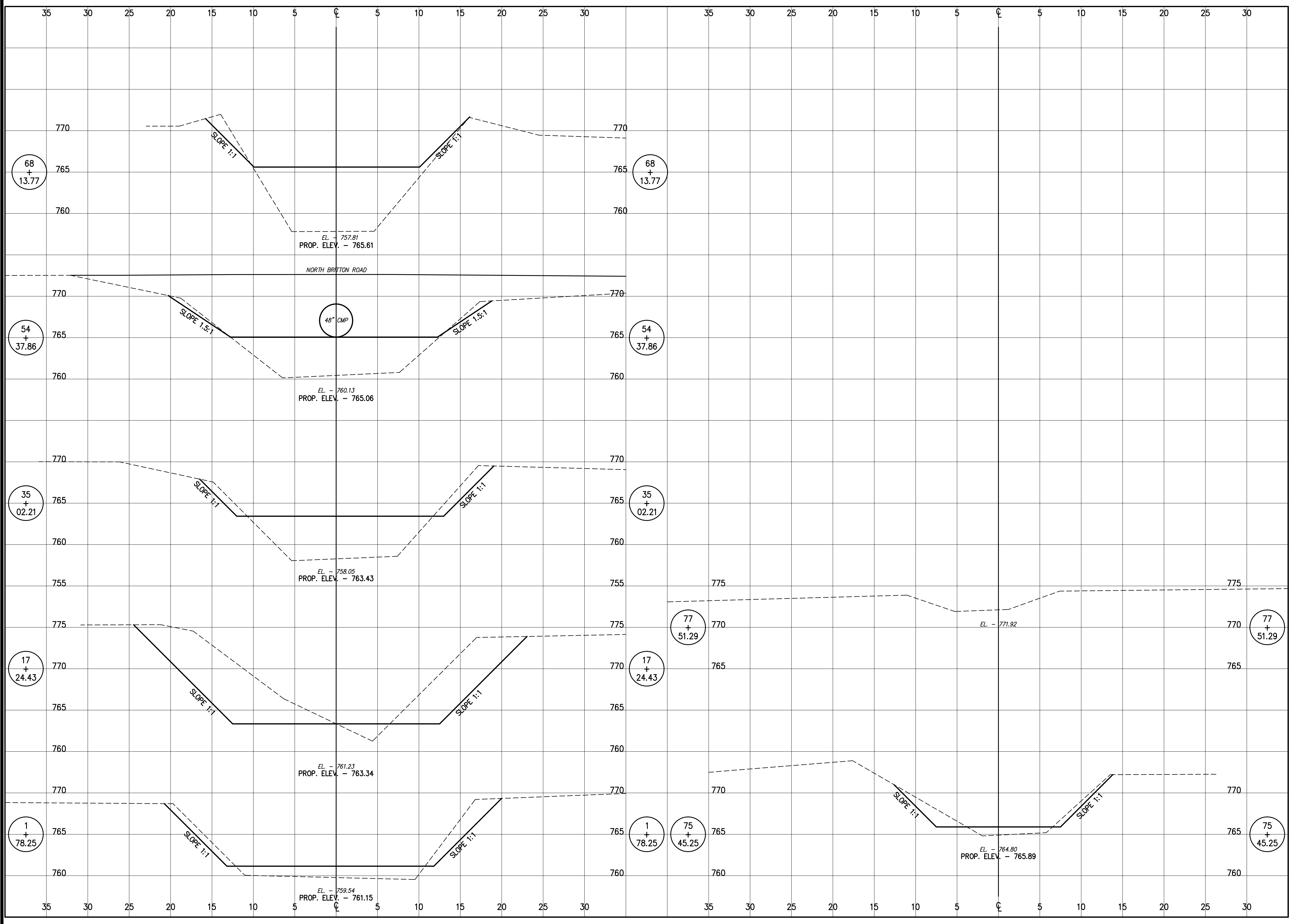
Tuesday, July 27, 2010 4:47:16 PM





**Nielsen Madsen & Barber S.C.**  
Civil Engineers and Land Surveyors  
1339 Washington Ave. Racine, WI. 53403  
Tel: (262)634-5588 Fax: (262)634-5024  
Website www.nmbasc.net

**NORWAY / DOVER DRAINAGE  
DISTRICT MAPPING  
DITCH NO. 4  
CROSS SECTIONS  
RACINE WISCONSIN**



Tuesday, July 27, 2010 4:47:26 PM

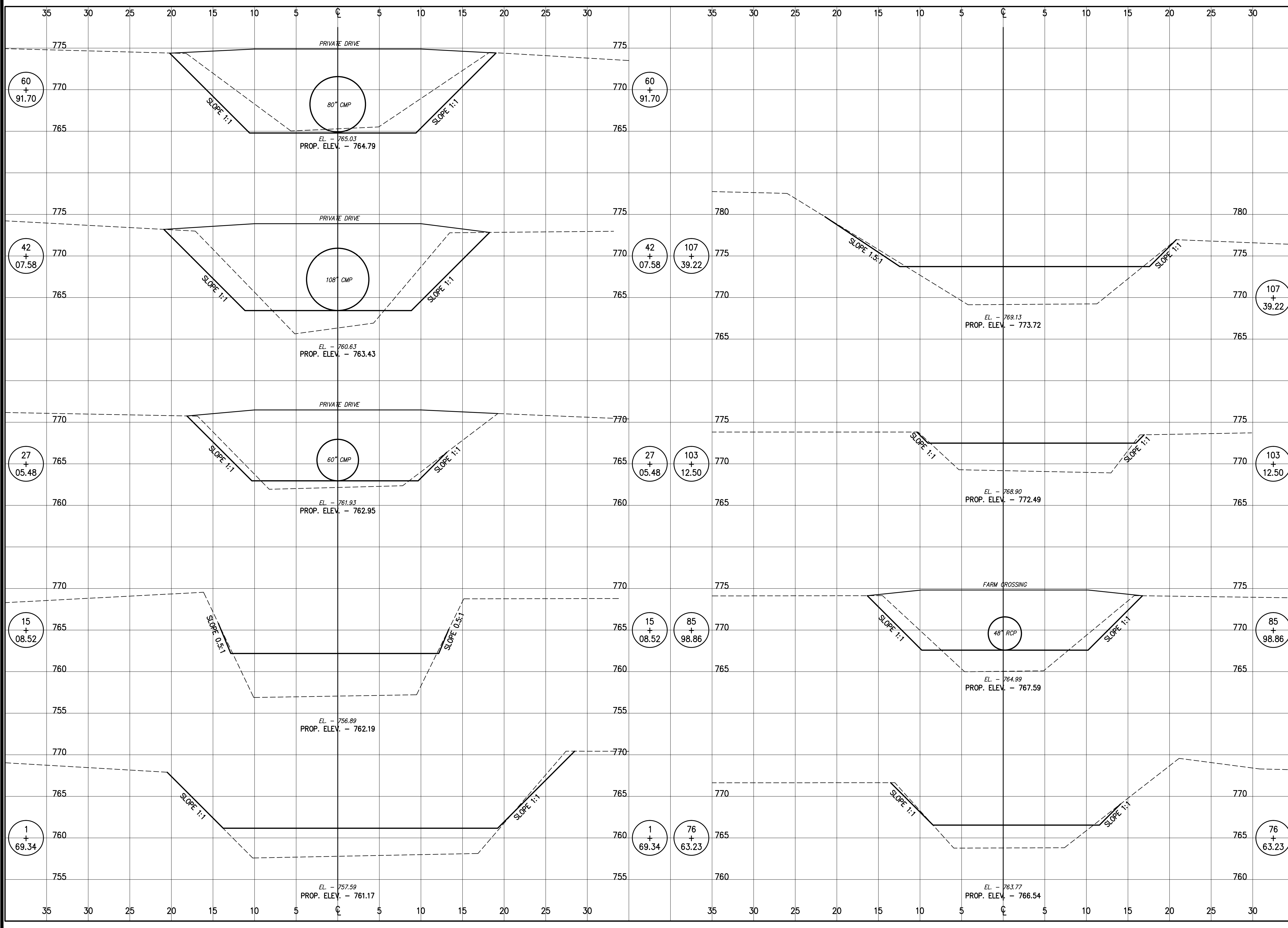
NO.	REVISION	BY	DATE

PROJ. MGR: MRM  
 DRAFTED: SCB  
 DATE: 6-15-2010  
 CHECKED: JCB  
 DATE: 6-15-2010

**2010.0022.01**

SHEET  
**70 OF 83**

Tuesday, July 27, 2010 4:47:36 PM



**Nielsen Madsen & Barber S.C.**  
 Civil Engineers and Land Surveyors  
 1339 Washington Ave. Racine, WI. 53403  
 Tele: (262)634-5588 Fax: (262)634-5024  
 Website www.nmbasc.net

**NORWAY / DOVER DRAINAGE DISTRICT MAPPING  
 DITCH NO. 3  
 CROSS SECTIONS  
 RACINE WISCONSIN**

NO.	REVISION	BY	DATE

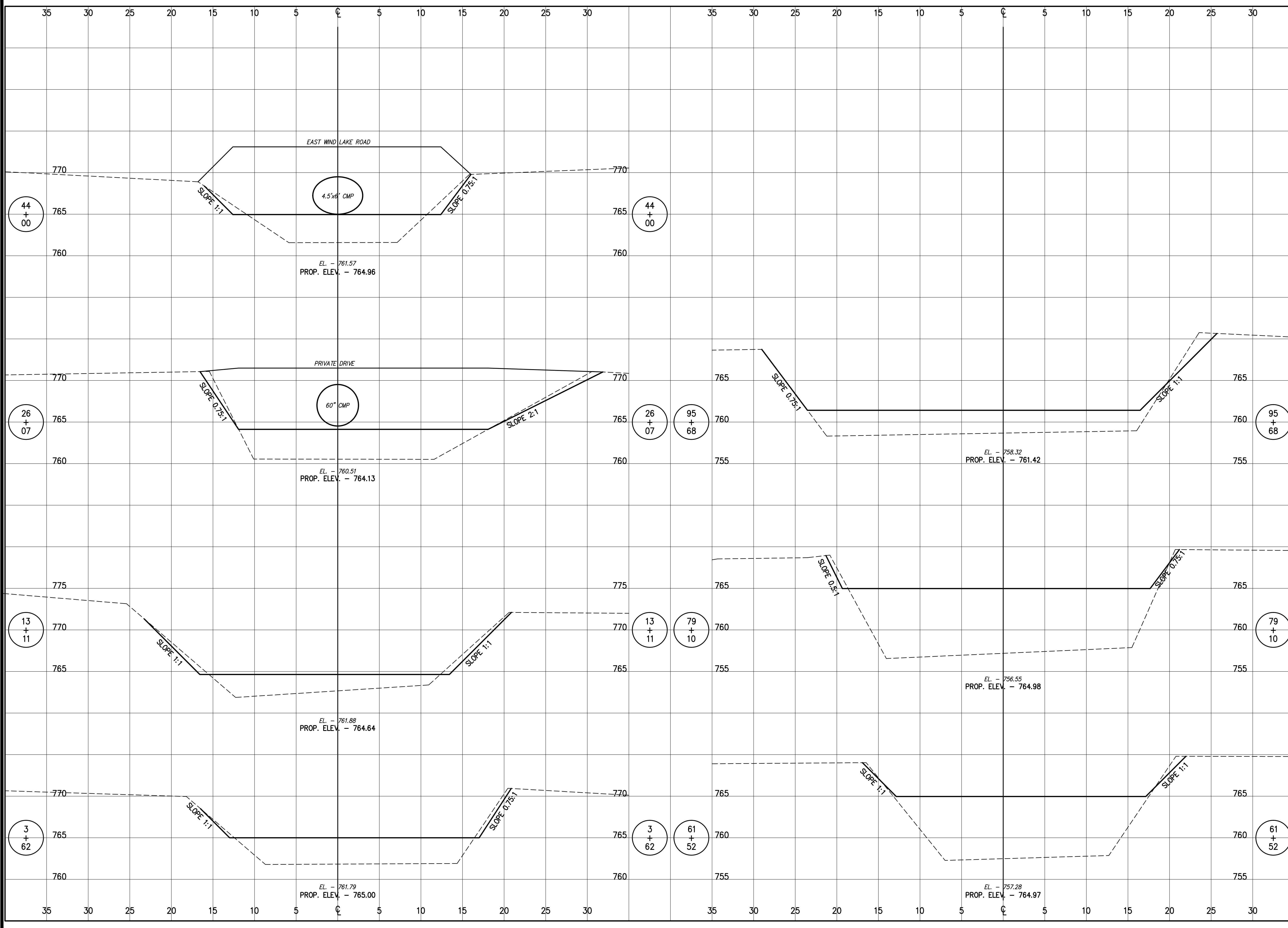
PROJ. MGR: MRM  
 DRAFTED: SCB  
 DATE: 6-15-2010  
 CHECKED: JCB  
 DATE: 6-15-2010

2010.0022.01  
 SHEET  
**71 OF 83**



**Nielsen Madsen & Barber S.C.**  
 Civil Engineers and Land Surveyors  
 1339 Washington Ave. Racine, WI. 53403  
 Tele: (262)634-5588 Fax: (262)634-5024  
 Website www.nmbasc.net

**NORWAY / DOVER DRAINAGE  
 DISTRICT MAPPING  
 JACOBSON DITCH  
 CROSS SECTIONS  
 RACINE WISCONSIN**



Tuesday, July 27, 2010 4:47:46 PM

NO.	REVISION	BY	DATE

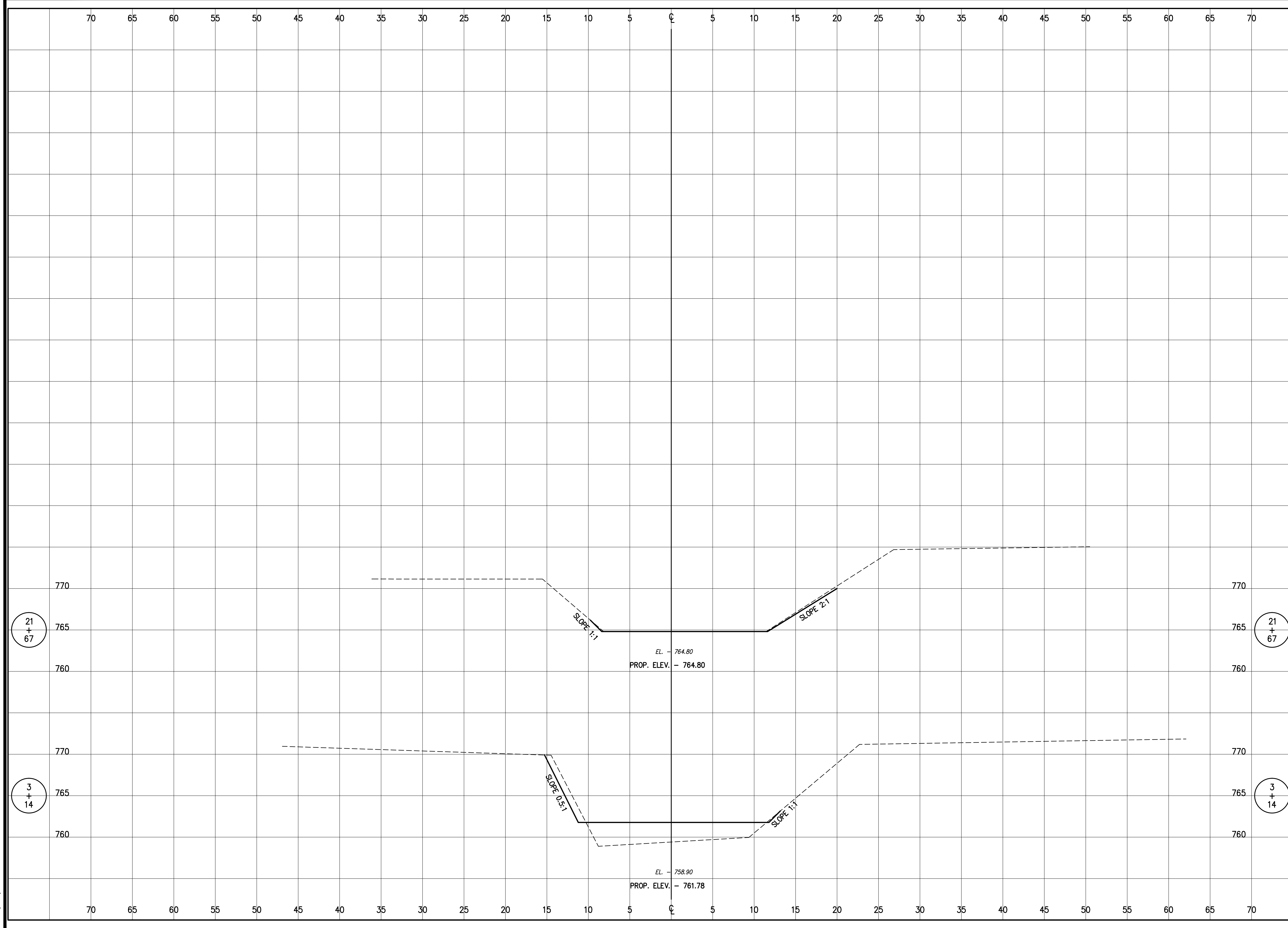
PROJ. MGR: MRM  
 DRAFTED: SCB  
 DATE: 6-15-2010  
 CHECKED: ICB  
 DATE: 6-15-2010  
**2010.0022.01**  
 SHEET  
**72 OF 83**



Nielsen Madsen & Barber S.C.  
 Civil Engineers and Land Surveyors  
 1339 Washington Ave. Racine, WI. 53403  
 Tele: (262)634-5588 Fax: (262)634-5024  
 Website www.nmbisc.net

**NORWAY / DOVER DRAINAGE  
 DISTRICT MAPPING  
 DITCH NO. 13  
 CROSS SECTIONS  
 RACINE WISCONSIN**

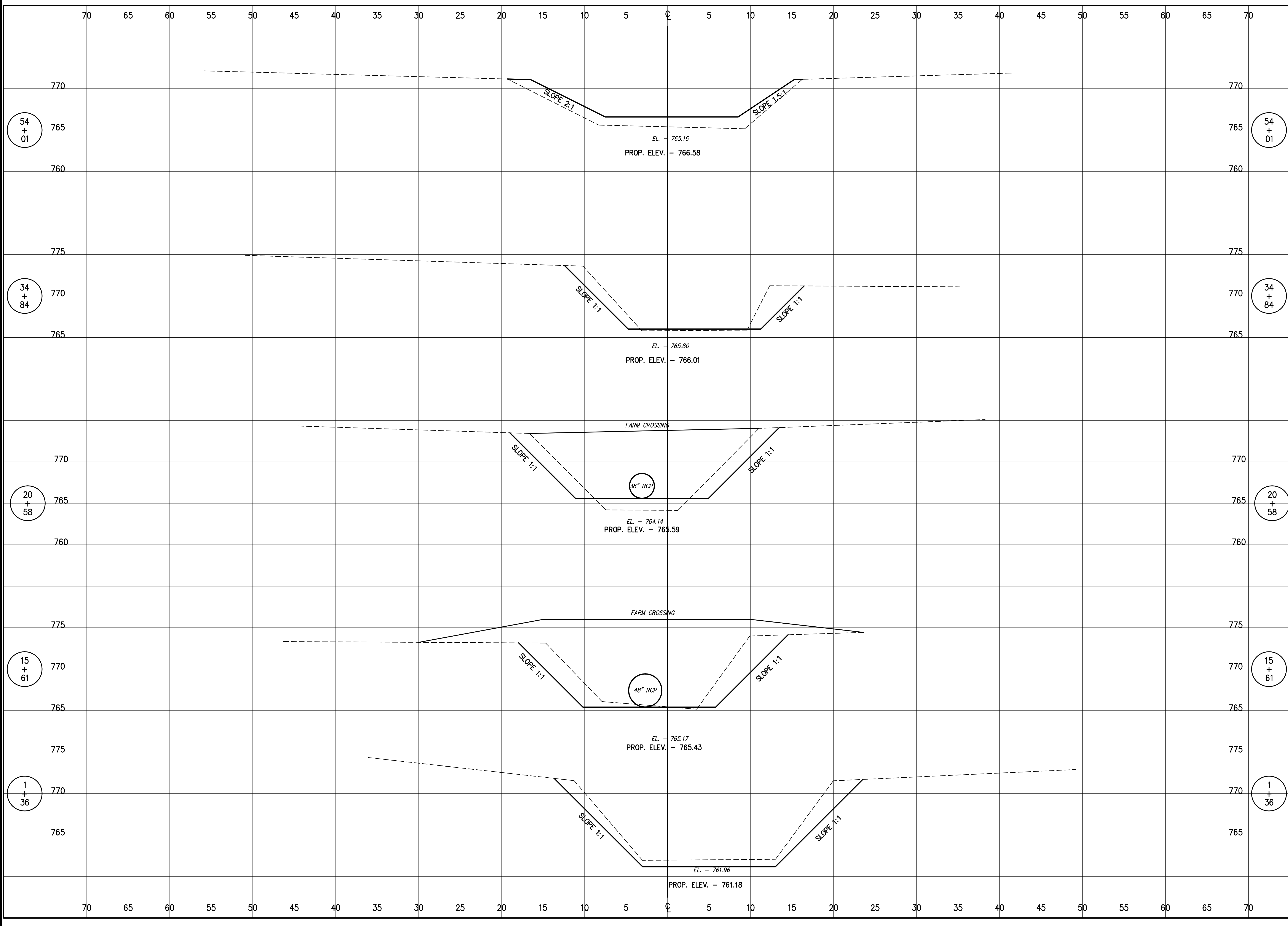
Tuesday, July 27, 2010 4:47:56 PM



NO.	REVISION	BY	DATE

PROJ. MGR:        MRM  
 DRAFTED:        SCB  
 DATE:        6-15-2010  
 CHECKED:        JCB  
 DATE:        6-15-2010

**2010.0022.01**  
 SHEET  
**73 OF 83**



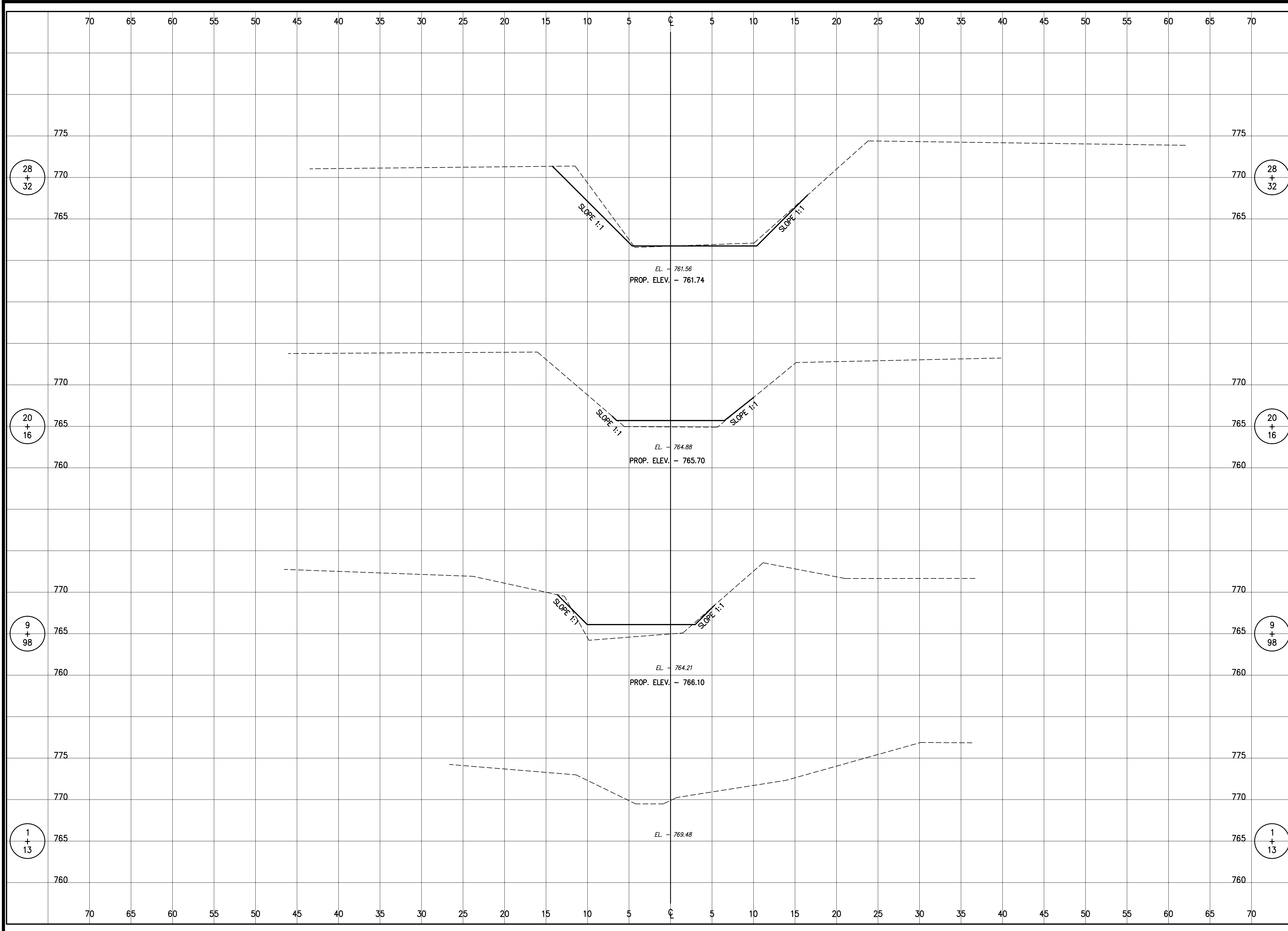
**Nielsen Madsen & Barber S.C.**  
 Civil Engineers and Land Surveyors  
 1339 Washington Ave. Racine, WI. 53403  
 Tel: (262)634-5588 Fax: (262)634-5024  
 Website www.nmbcs.net

**NORWAY / DOVER DRAINAGE  
 DISTRICT MAPPING  
 DITCH NO. 2 EAST BRANCH  
 CROSS SECTIONS  
 RACINE WISCONSIN**

NO.	REVISION/DATE

PROJ. MGR: \_\_\_\_\_ MRM  
 DRAFTED: \_\_\_\_\_ SCB  
 DATE: 6-15-2010  
 CHECKED: \_\_\_\_\_ JCB  
 DATE: 6-15-2010

Tuesday, July 27, 2010 4:48:16 PM



**Nielsen Madsen & Barber S.C.**  
 Civil Engineers and Land Surveyors  
 1339 Washington Ave., Racine, WI, 53403  
 Tele: (262)634-5588 Fax: (262)634-5024  
 Website www.nmbosc.net

**NORWAY / DOVER DRAINAGE  
 DISTRICT MAPPING  
 DITCH NO. 2 WEST BRANCH  
 CROSS SECTIONS**  
RACINE WISCONSIN

NO.	REVISION	BY	DATE

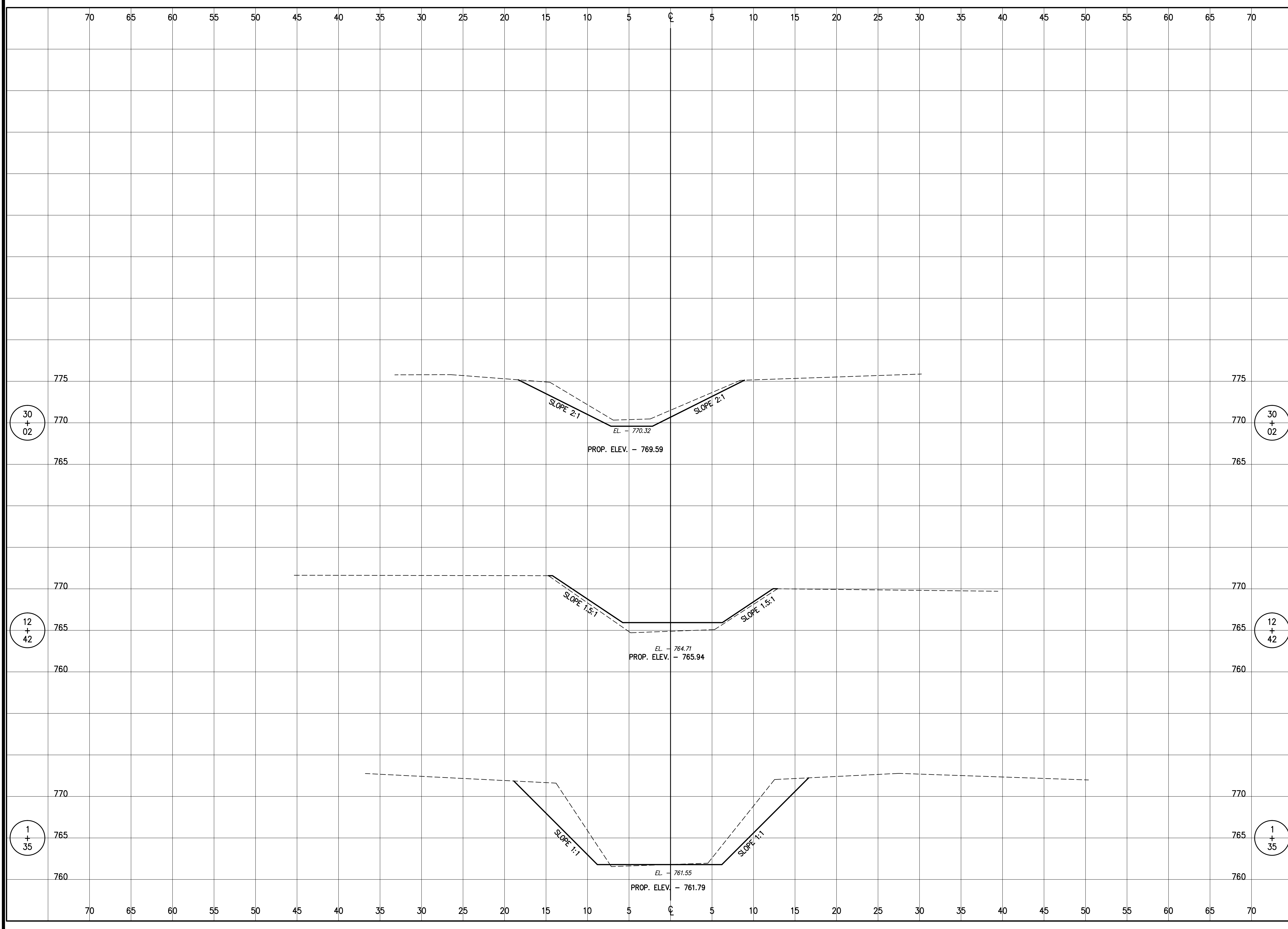
PROJ. MGR: MRM  
 DRAFTED: SCB  
 DATE: 6-15-2010  
 CHECKED: JCB  
 DATE: 6-15-2010

**2010.0022.01**  
SHEET  
**75 OF 83**



Nielsen Madsen & Barber S.C.  
 Civil Engineers and Land Surveyors  
 1339 Washington Ave. Racine, WI. 53403  
 Tele: (262)634-5588 Fax: (262)634-5024  
 Website www.nmbasc.net

**NORWAY / DOVER DRAINAGE  
 DISTRICT MAPPING  
 DITCH NO. 1 EAST BRANCH  
 CROSS SECTIONS  
 RACINE WISCONSIN**



Tuesday, July 27, 2010 4:48:26 PM

NO.	REVISION	BY	DATE

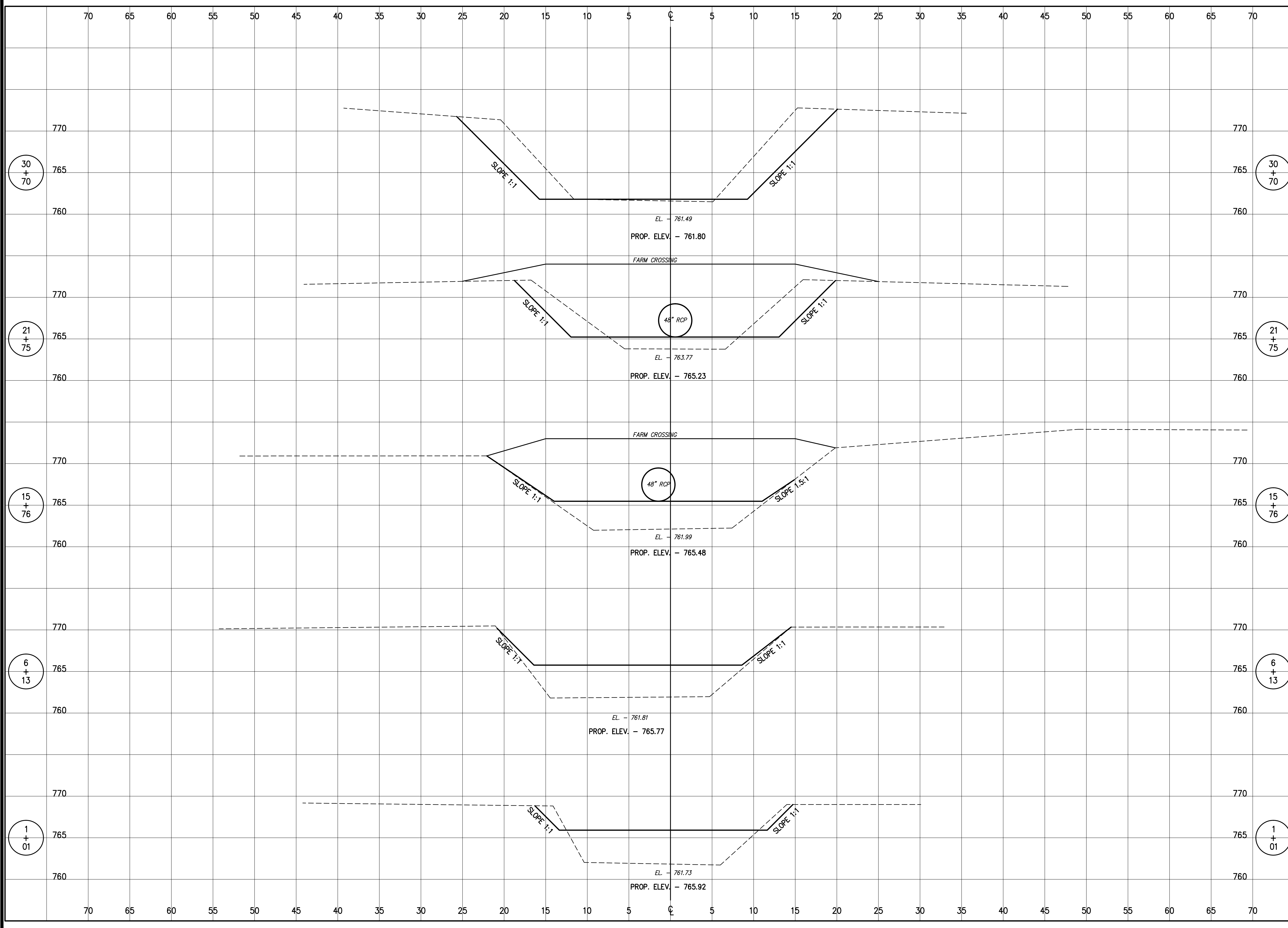
PROJ. MGR: \_\_\_\_\_ MRM  
 DRAFTED: \_\_\_\_\_ SCB  
 DATE: 6-15-2010  
 CHECKED: \_\_\_\_\_ JCB  
 DATE: 6-15-2010

2010.0022.01  
 SHEET  
 76 OF 83



Nielsen Madsen & Barber S.C.  
Civil Engineers and Land Surveyors  
1339 Washington Ave. Racine, WI. 53403  
Tele: (262)634-5588 Fax: (262)634-5024  
Website www.nmbcs.net

**NORWAY / DOVER DRAINAGE  
DISTRICT MAPPING  
DITCH NO. 1 WEST BRANCH  
CROSS SECTIONS  
RACINE WISCONSIN**



Tuesday, July 27, 2010 4:48:36 PM

REVISION		BY	DATE

NO. \_\_\_\_\_

PROJ. MGR: \_\_\_\_\_ MRM  
DRAFTED: \_\_\_\_\_ SCB  
DATE: 6-15-2010  
CHECKED: \_\_\_\_\_ JCB  
DATE: 6-15-2010

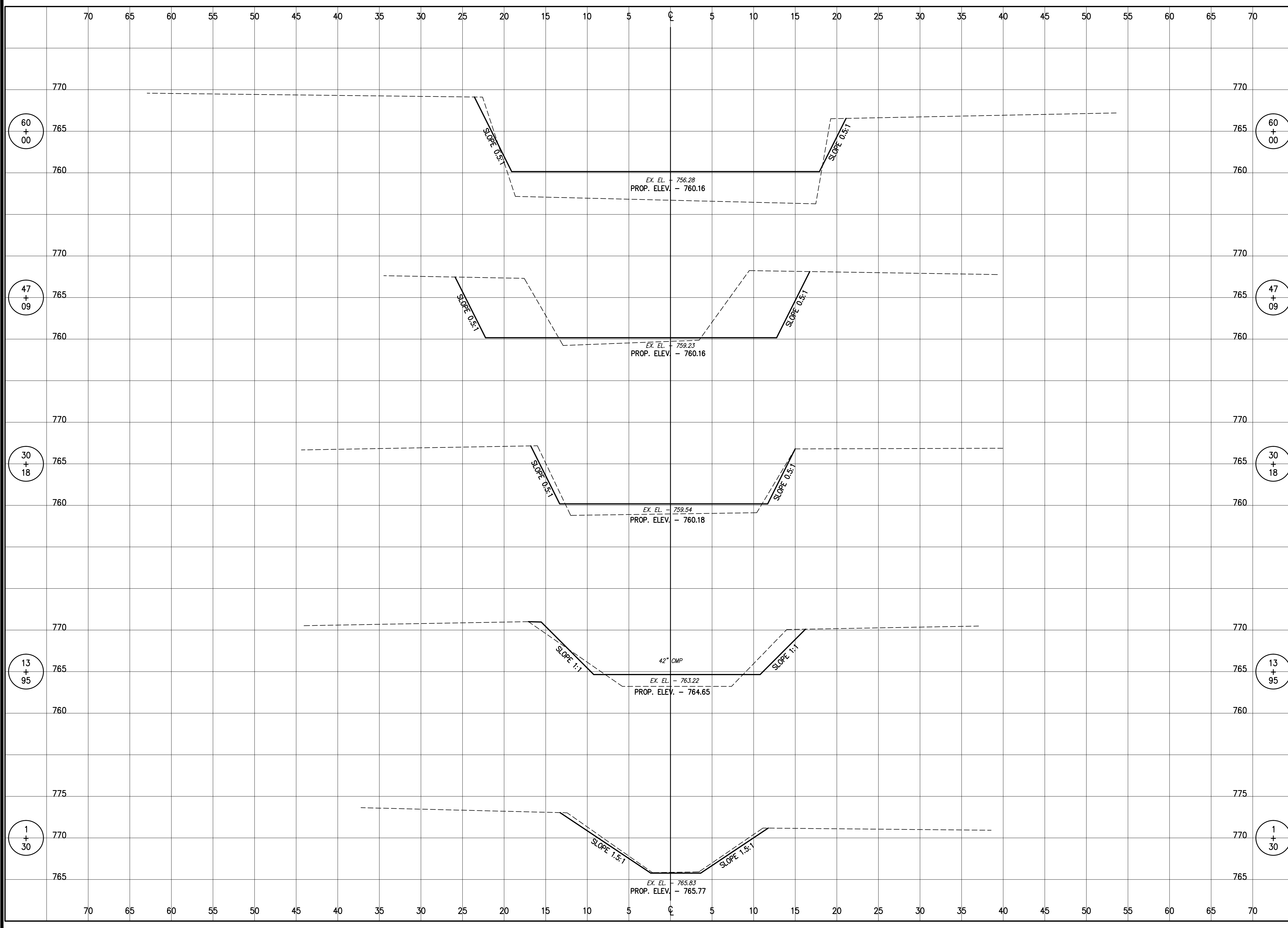
2010.0022.01  
SHEET  
**77** OF **83**





**Nielsen Madsen & Barber S.C.**  
 Civil Engineers and Land Surveyors  
 1339 Washington Ave. Racine, WI. 53403  
 Tel: (262)634-5588 Fax: (262)634-5024  
 Website www.nmbasc.net

**NORWAY / DOVER DRAINAGE  
 DISTRICT MAPPING  
 DITCH NO. 14  
 CROSS SECTIONS  
 RACINE WISCONSIN**



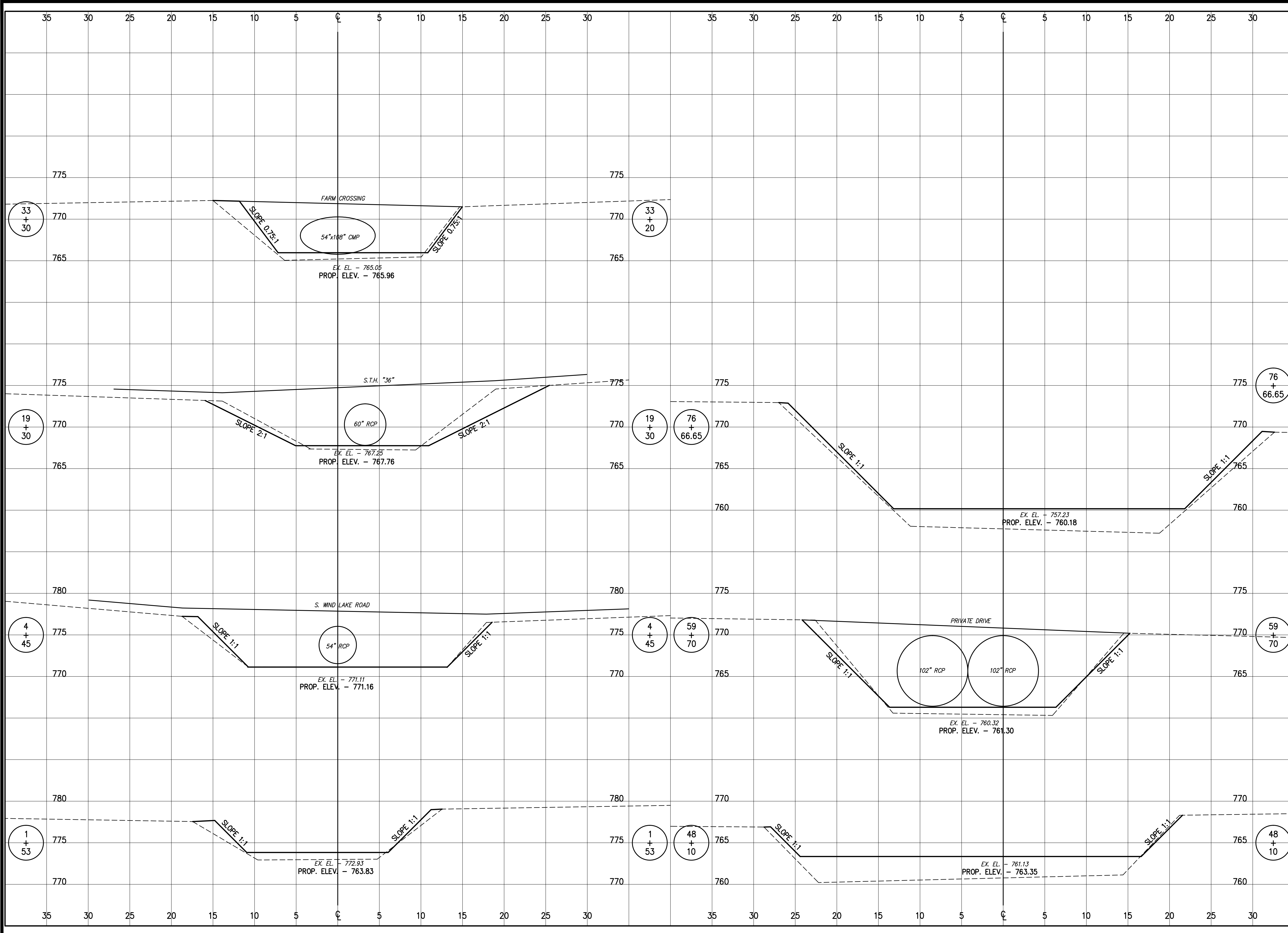
Tuesday, July 27, 2010 4:48:46 PM

NO.	REVISION	BY	DATE

PROJ. MGR: MRM  
 DRAFTED: SCB  
 DATE: 6-15-2010  
 CHECKED: JCB  
 DATE: 6-15-2010

2010.0022.01  
 SHEET  
 78 OF 83

Tuesday, July 27, 2010 4:48:57 PM



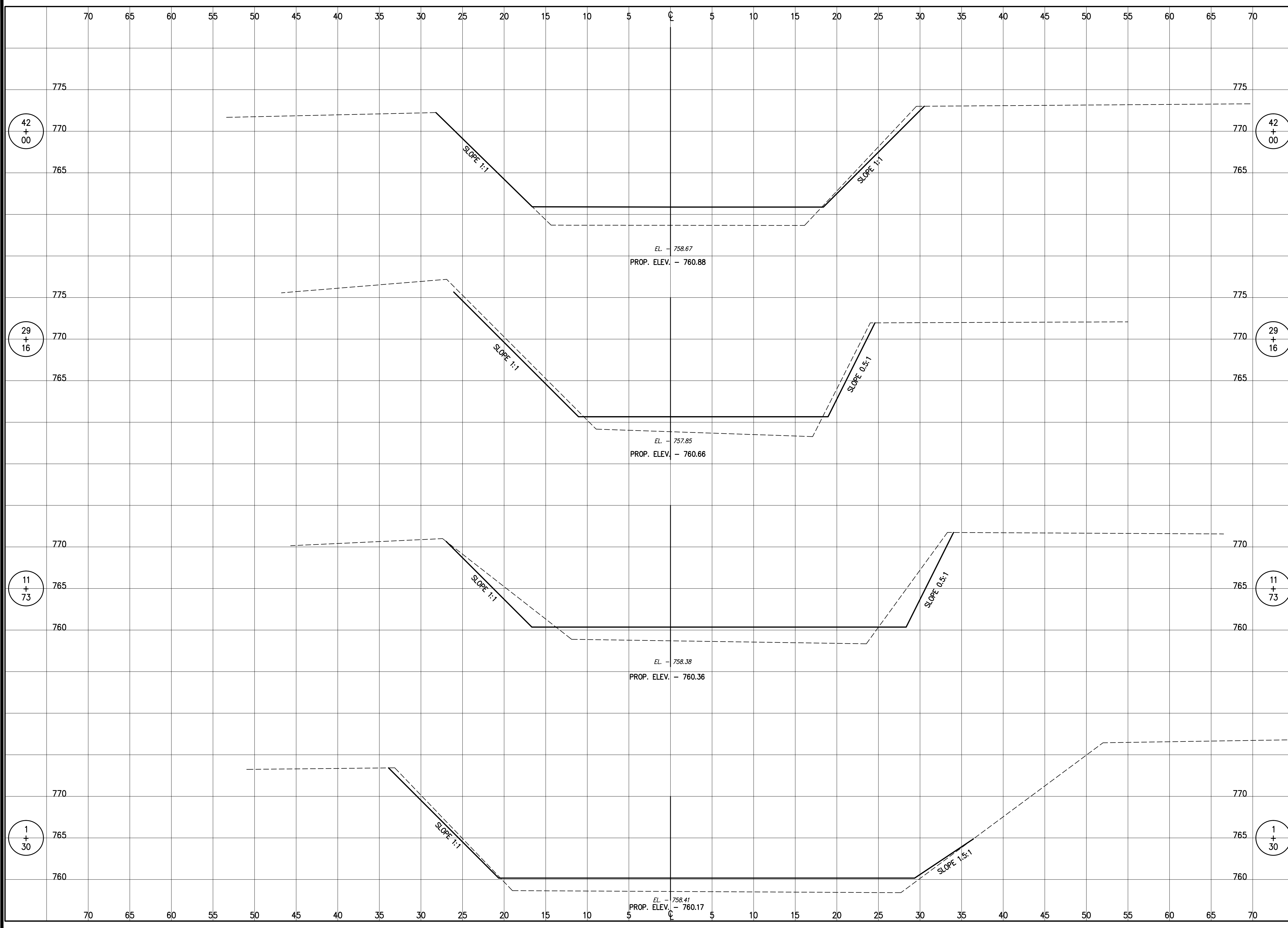
**Nielsen Madsen & Barber S.C.**  
 Civil Engineers and Land Surveyors  
 1339 Washington Ave. Racine, WI. 53403  
 Tele: (262)634-5588 Fax: (262)634-5024  
 Website www.nmbisc.net

**NORWAY / DOVER DRAINAGE  
 DISTRICT MAPPING  
 WAUBEESSE OUTLET  
 CROSS SECTIONS**  
 RACINE WISCONSIN

NO.	REVISION	BY	DATE

PROJ. MGR: MRM  
 DRAFTED: SCB  
 DATE: 6-15-2010  
 CHECKED: JCB  
 DATE: 6-15-2010

Tuesday, July 27, 2010 4:49:07 PM



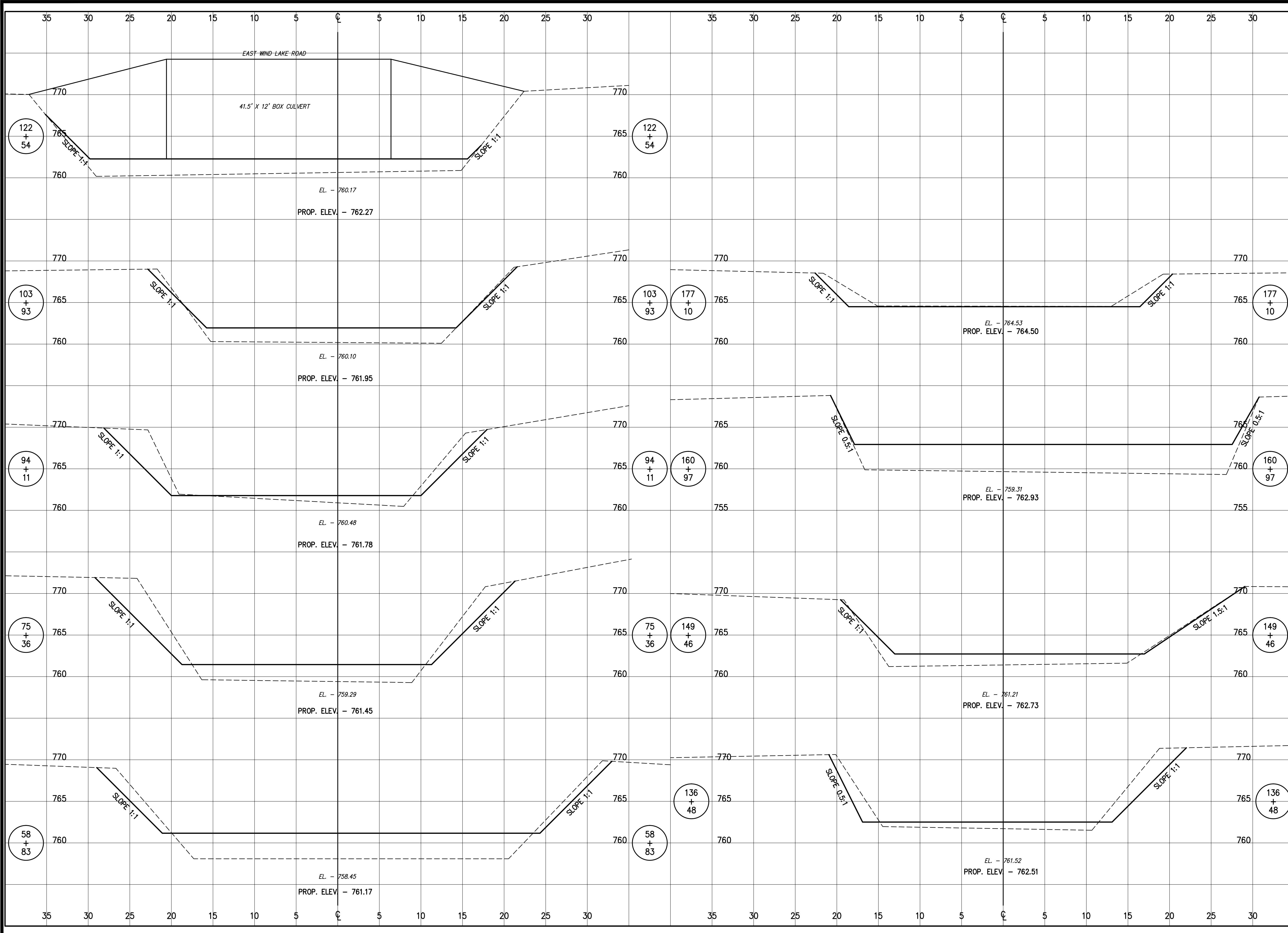
**Nielsen Madsen & Barber S.C.**  
 Civil Engineers and Land Surveyors  
 1339 Washington Ave. Racine, WI. 53403  
 Tel: (262)634-5588 Fax: (262)634-5024  
 Website www.nmbasc.net

**NORWAY / DOVER DRAINAGE DISTRICT MAPPING CROSS CANAL SOUTH CROSS SECTIONS RACINE WISCONSIN**

NO.	REVISION	BY	DATE

PROJ. MGR: MRM  
 DRAFTED: SCB  
 DATE: 6-15-2010  
 CHECKED: JCB  
 DATE: 6-15-2010

Tuesday, September 21, 2010 11:13:58 AM



**Nielsen Madsen & Barber S.C.**  
Civil Engineers and Land Surveyors  
1339 Washington Ave. Racine, WI. 53403  
Tel: (262)634-5588 Fax: (262)634-5024  
Website www.nmbcs.net

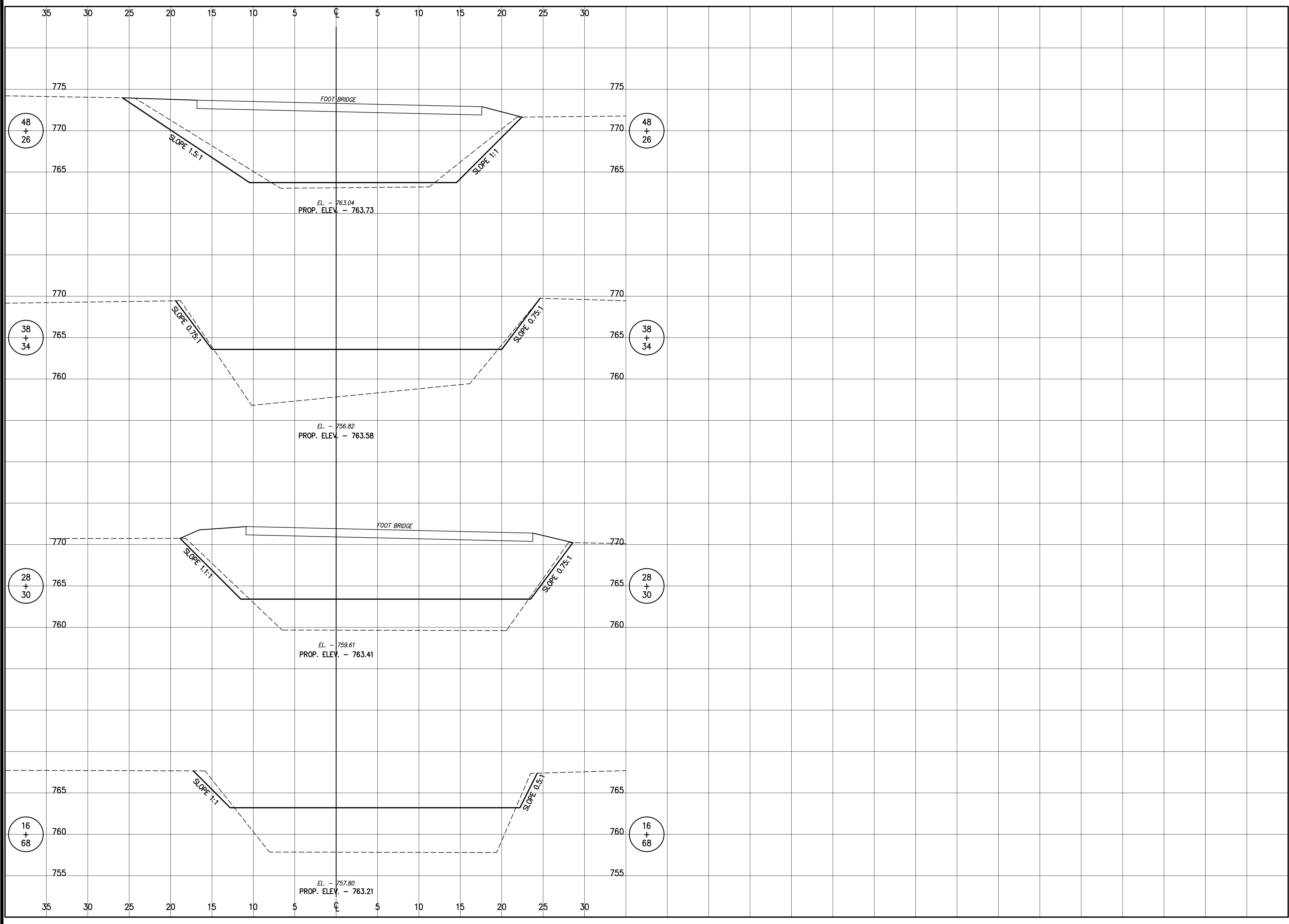
**NORWAY / DOVER DRAINAGE DISTRICT MAPPING CROSS CANAL SOUTH CROSS SECTIONS RACINE WISCONSIN**

NO.	REVISION	DATE	BY
1	DRAINAGE DISTRICT REVIEW COMMENTS	9-21-10	ICB

PROJ. MGR: MRM  
DRAFTED: SCB  
DATE: 6-15-2010  
CHECKED: ICB  
DATE: 6-15-2010

2010.0022.01  
SHEET  
**81** OF **83**

Tuesday, July 27, 2010 4:49:27 PM



**Nielsen Madsen & Barber S.C.**  
 Civil Engineers and Land Surveyors  
 1339 Washington Ave., Racine, WI, 53403  
 Tele: (262)634-5588 Fax: (262)634-5024  
 Website www.nmbcs.net

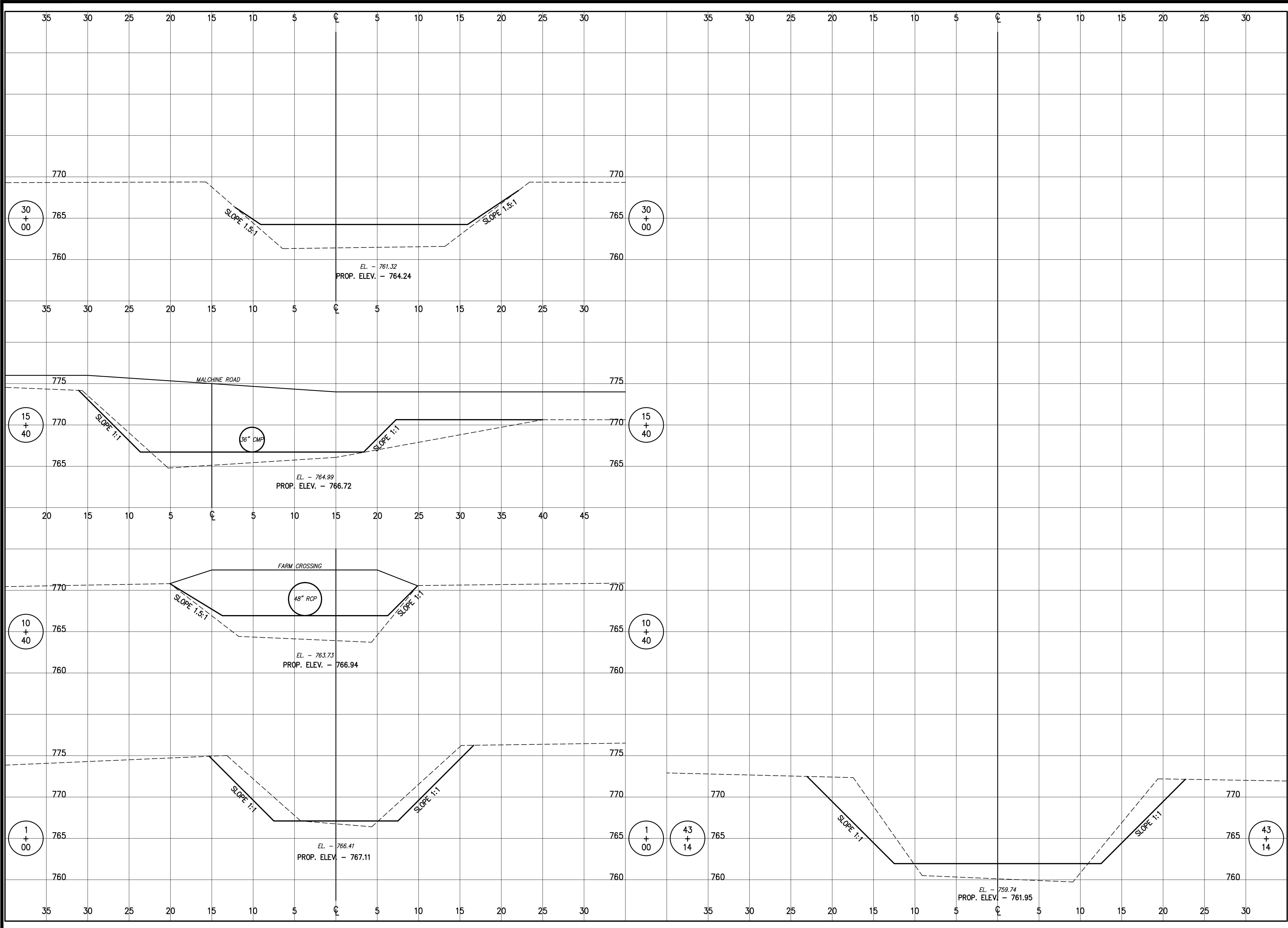
**NORWAY / DOVER DRAINAGE  
 DISTRICT MAPPING  
 CROSS CANAL NORTH  
 CROSS SECTIONS  
 RACINE WISCONSIN**

NO.	REVISION	BY	DATE

PROJ. MGR: MRM  
 DRAFTED: SCB  
 DATE: 6-15-2010  
 CHECKED: ICB  
 DATE: 6-15-2010

2010.0022.01  
 SHEET  
**82** OF **83**

Tuesday, September 21, 2010 11:14:08 AM



**Nielsen Madsen & Barber S.C.**  
 Civil Engineers and Land Surveyors  
 1339 Washington Ave. Racine, WI. 53403  
 Tele: (262)634-5588 Fax: (262)634-5024  
 Website www.nmbasc.net

**NORWAY / DOVER DRAINAGE  
 DISTRICT MAPPING  
 DITCH NO. 8  
 CROSS CROSS SECTIONS  
 RACINE WISCONSIN**

NO.	REVISION	BY	DATE
1	DRAINAGE DISTRICT REVIEW COMMENTS	ICB	9-21-10

PROJ. MGR: MRM  
 DRAFTED: SCB  
 DATE: 6-15-2010  
 CHECKED: ICB  
 DATE: 6-15-2010

2010.0022.01  
 SHEET  
**83** OF **83**